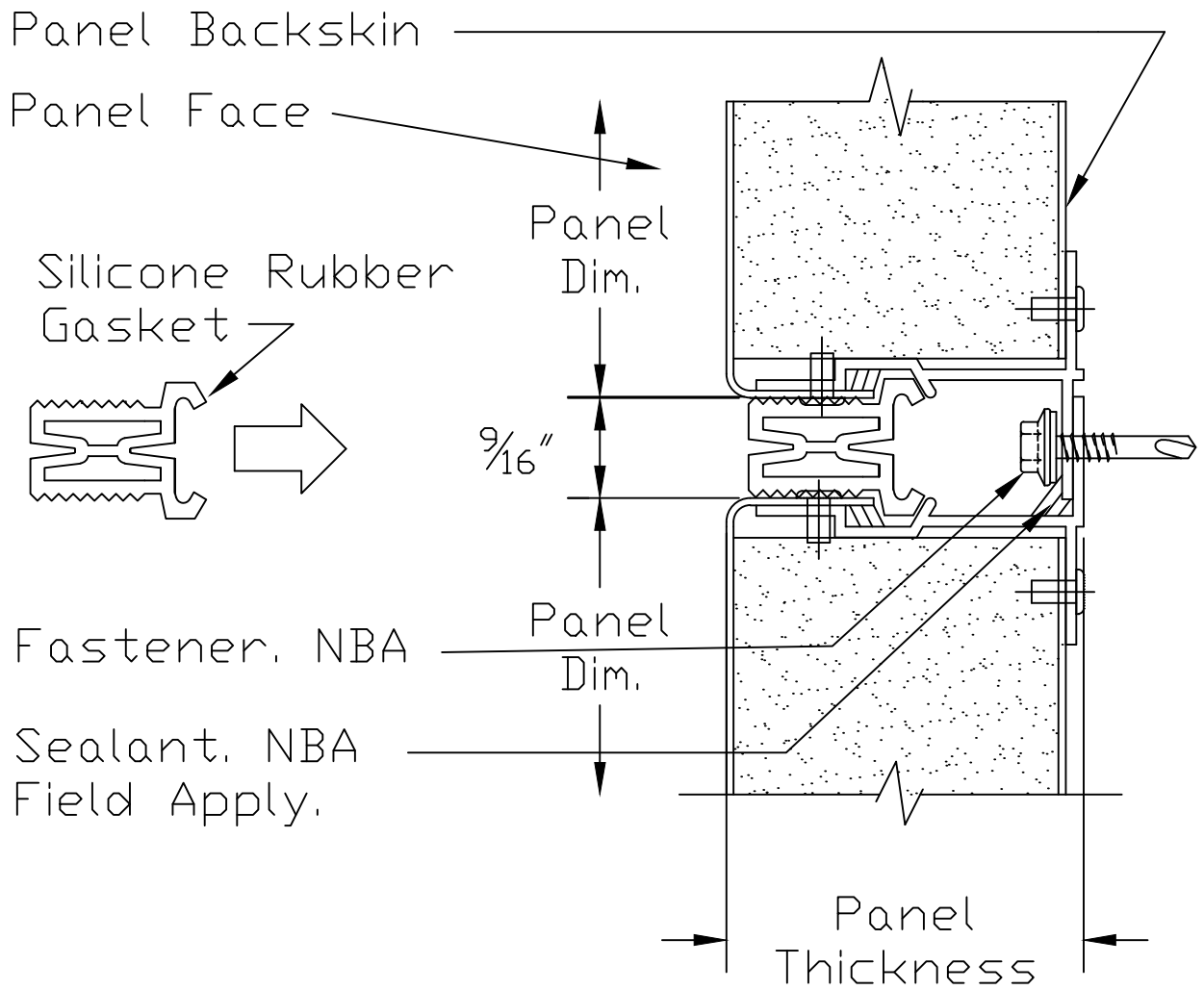




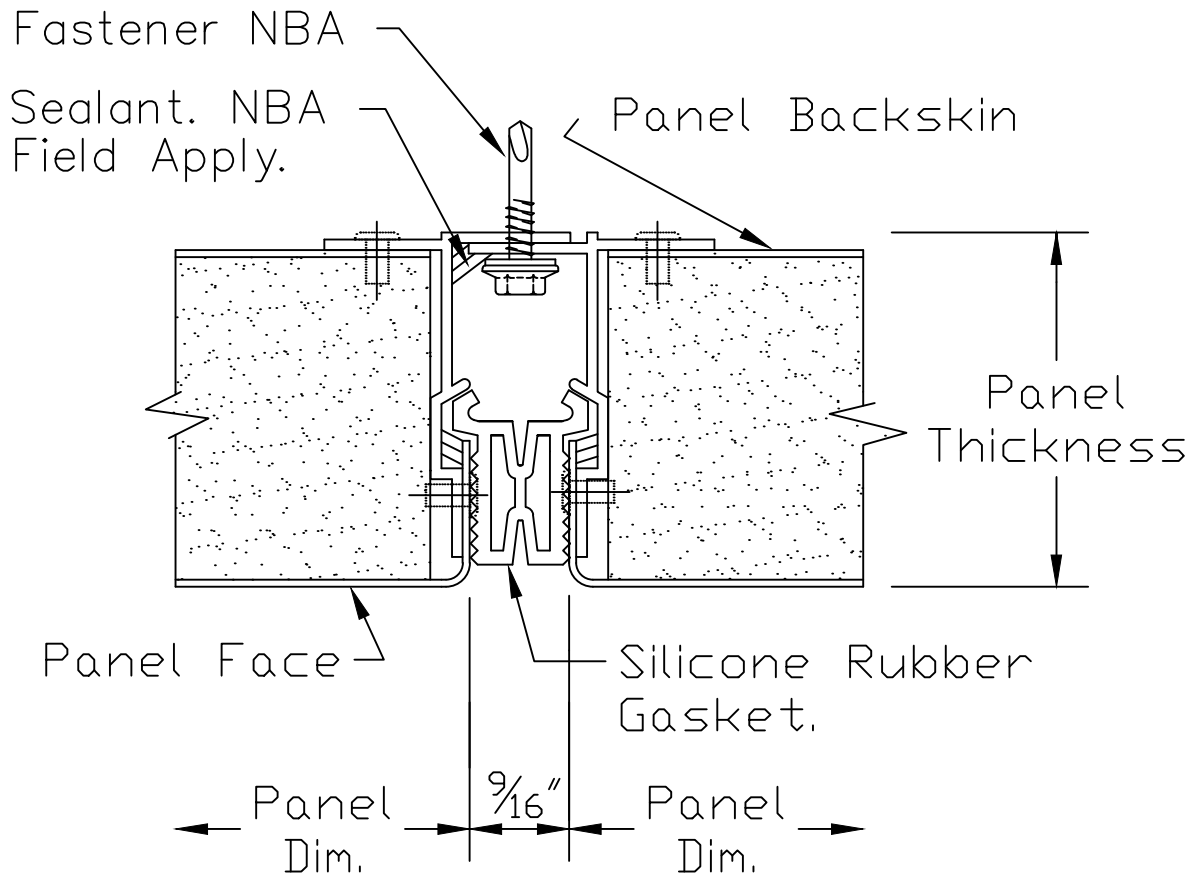
# Sketch 1



**Snug Seam horizontal joint with gasket**



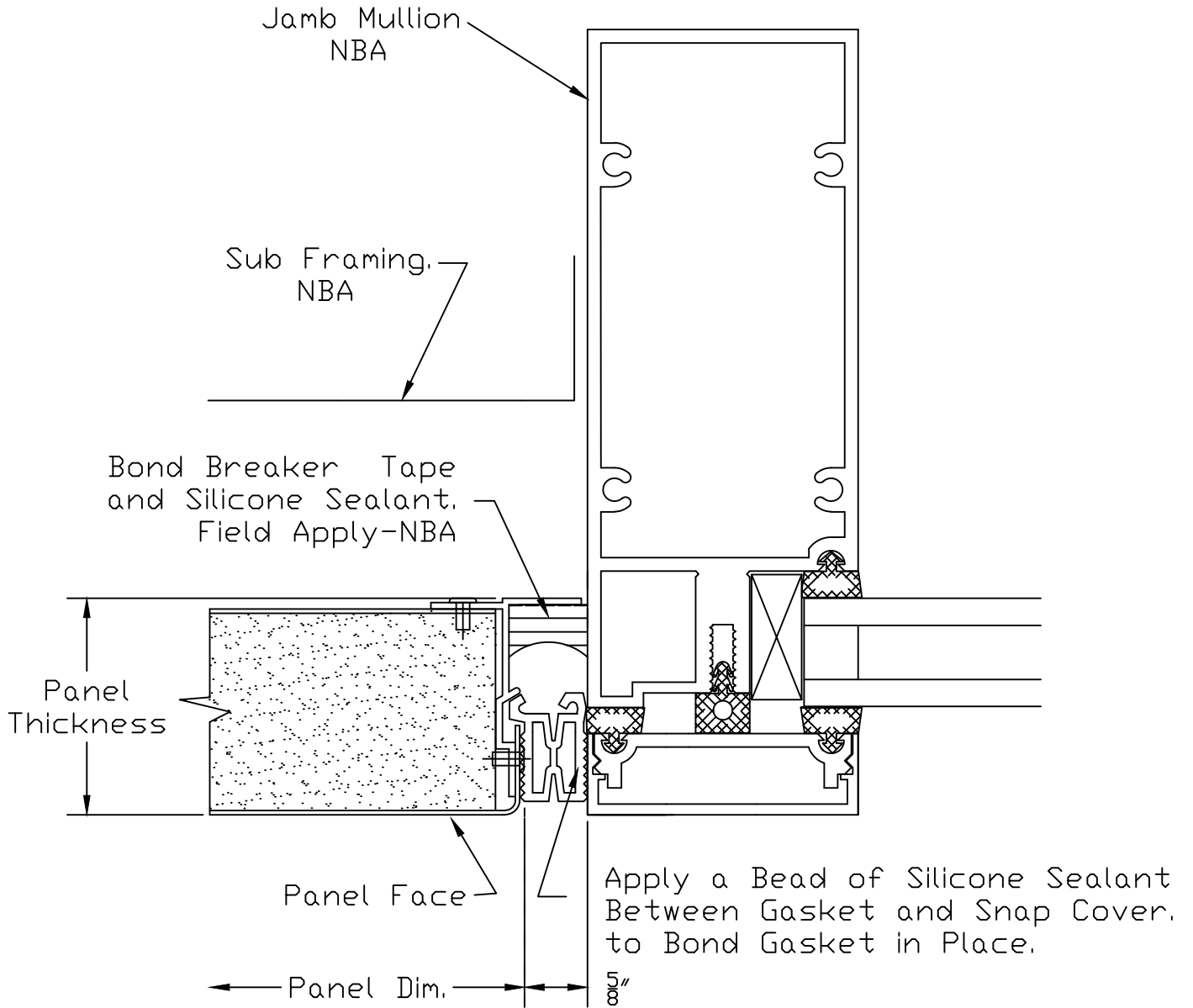
## Sketch 2



**9/16" Snug Seam vertical joint with gasket**



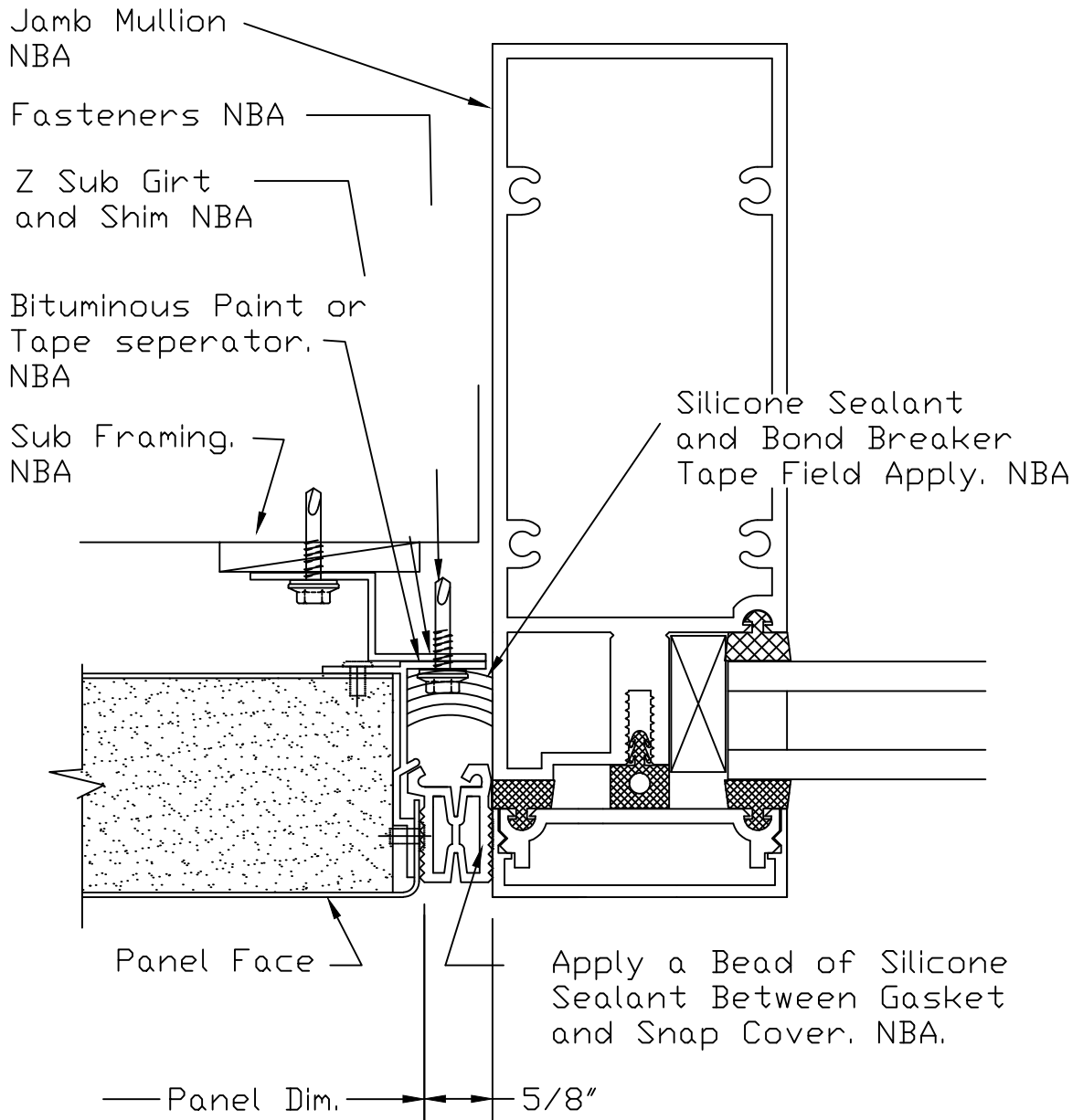
# Sketch 3



**Alply panel at window jamb gasket,  
w/o connection horizontal fastening**



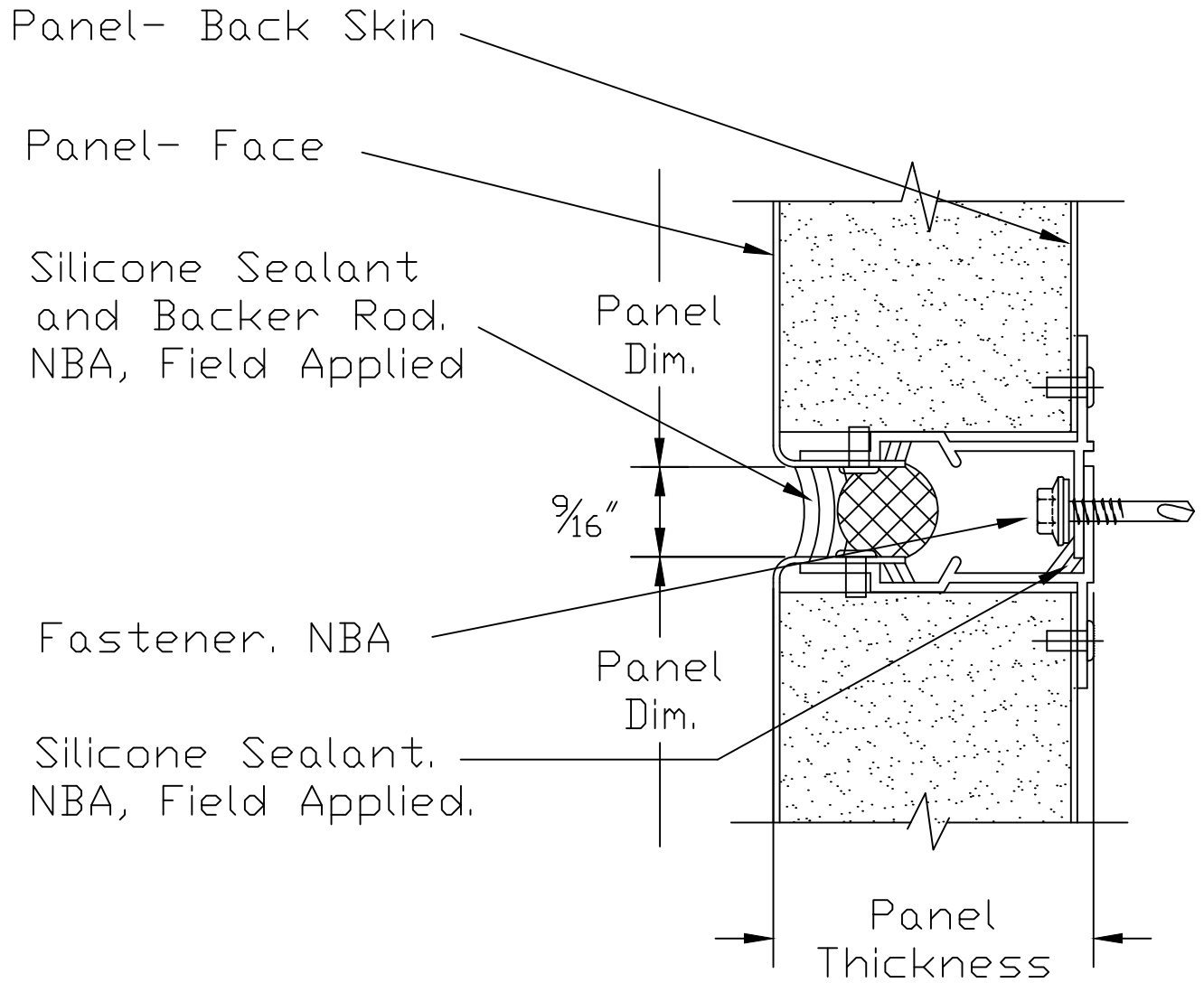
# Sketch 4



**Alply panel at window jamb gasket  
with connection vertical fastening**



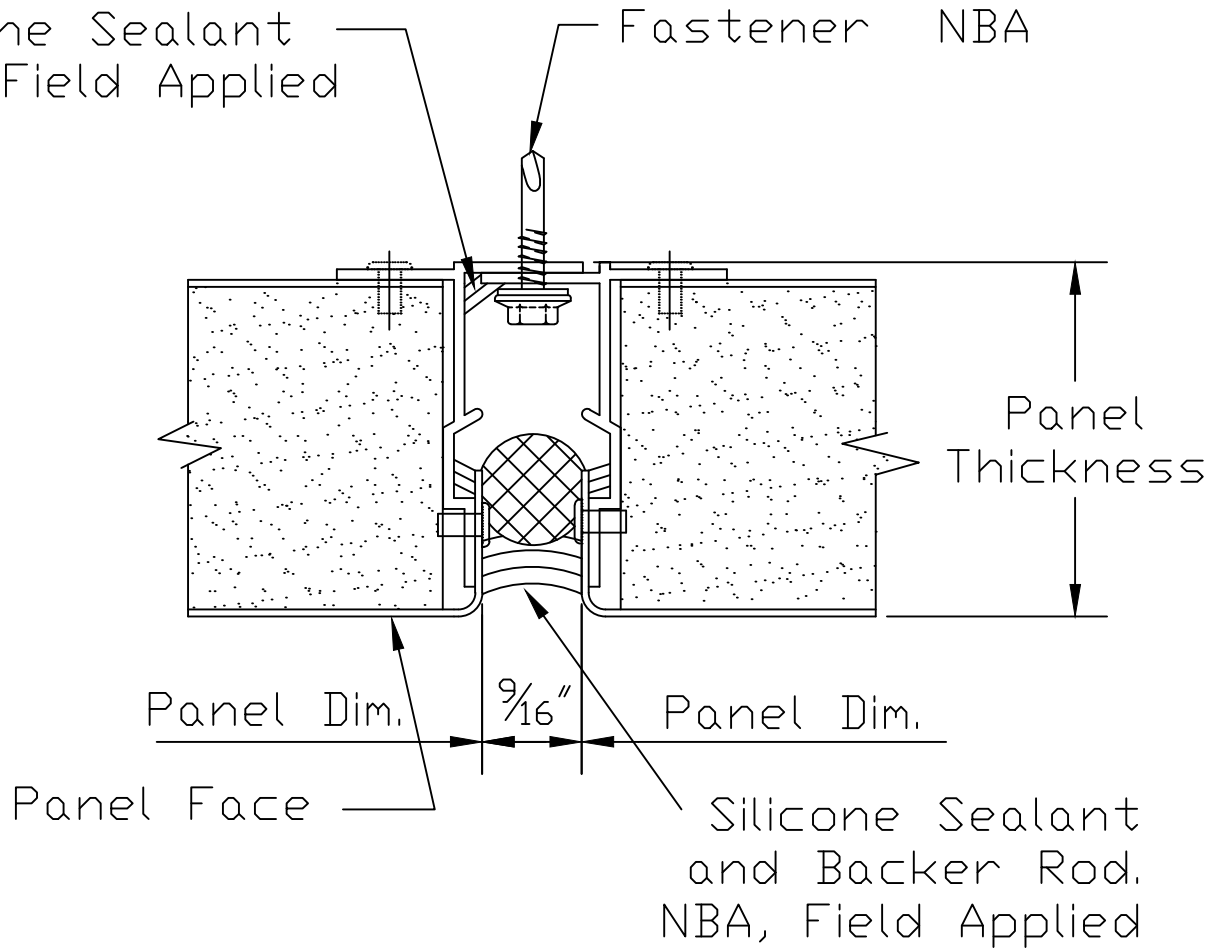
# Sketch 5



**Horizontal joint with silicone sealant**



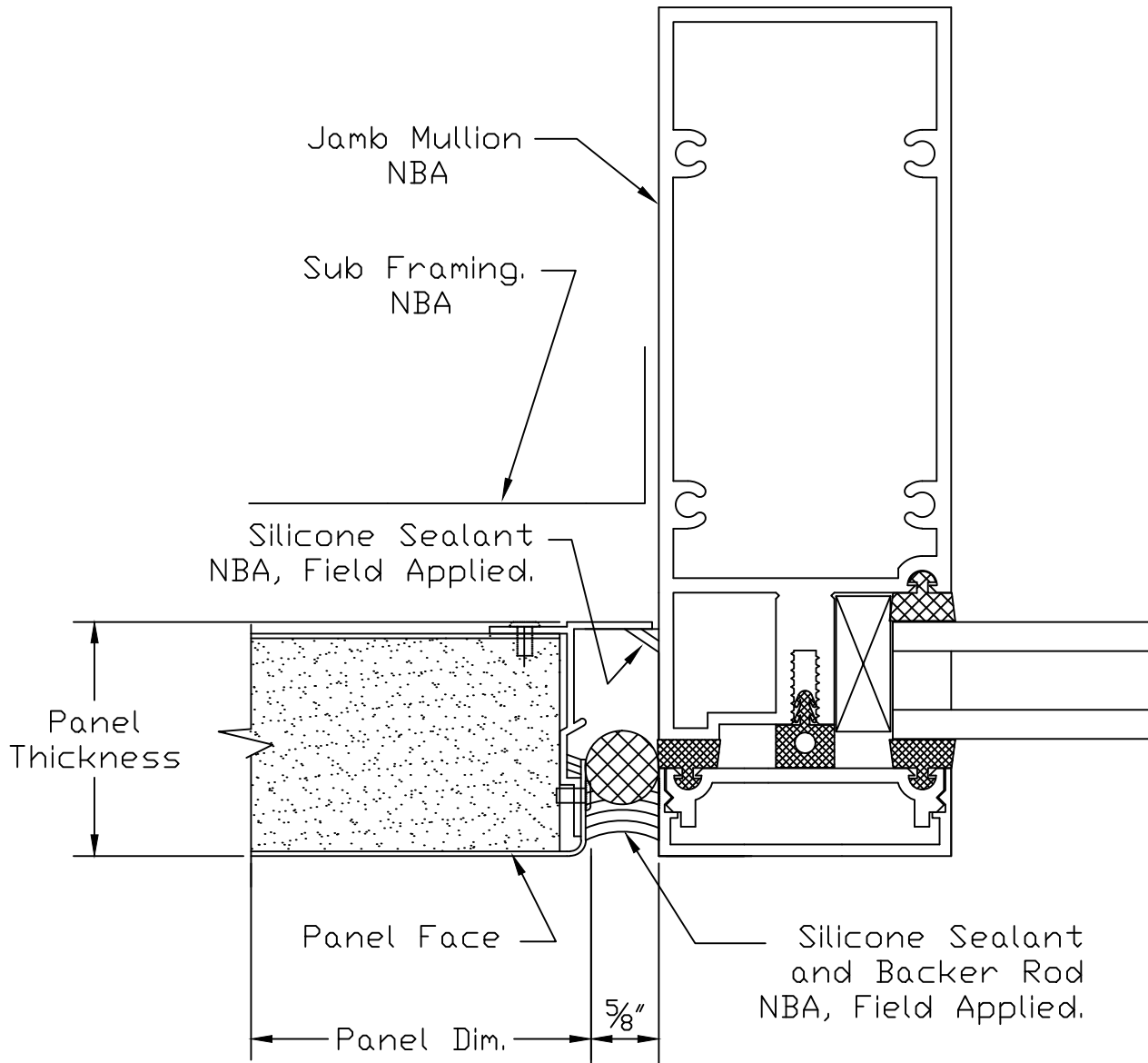
# Sketch 6



**Vertical joint with silicone sealant**



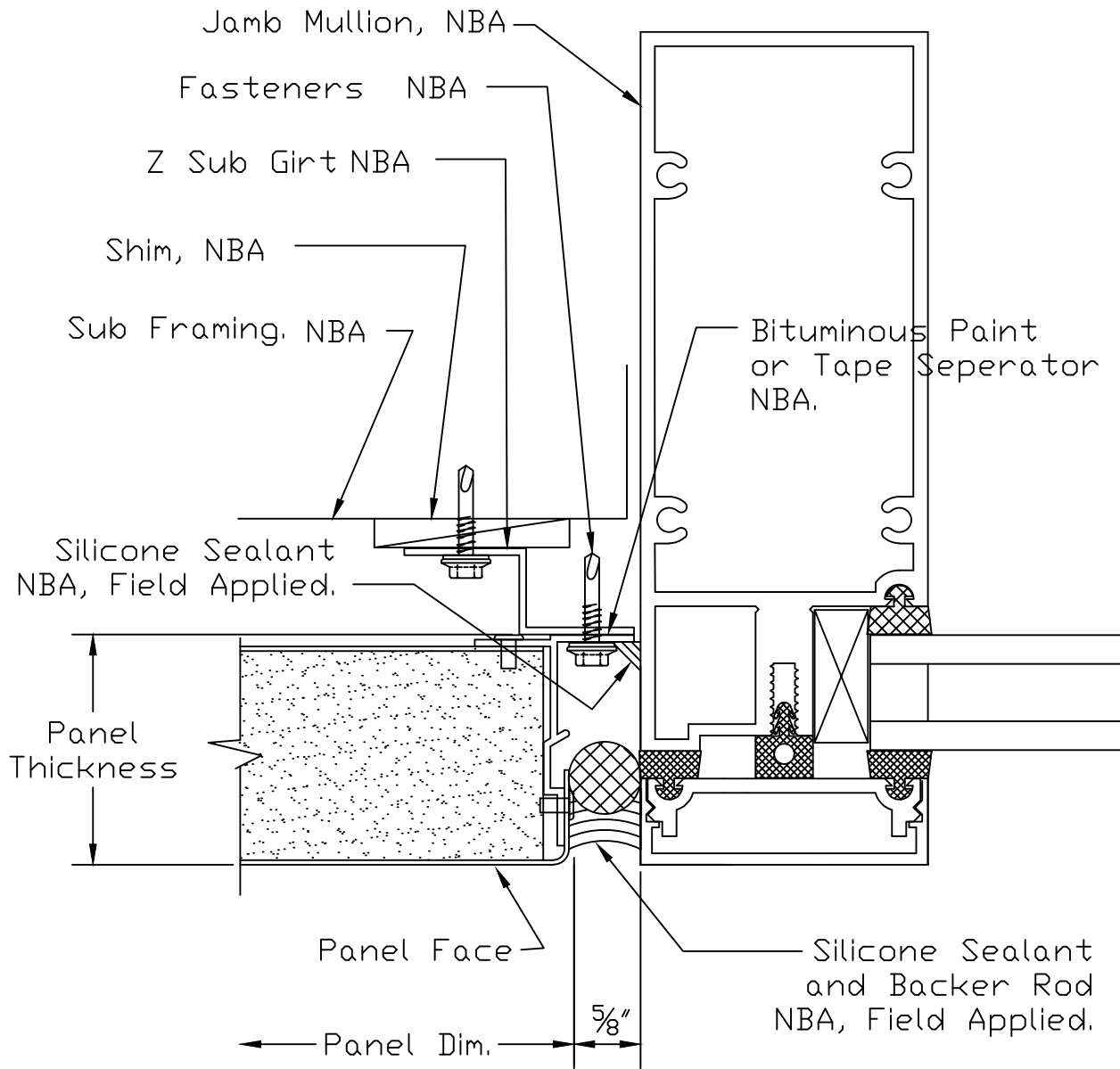
# Sketch 7



**Alply panel at window jamb silicone sealant, w/o connection horizontal fastening**



# Sketch 8

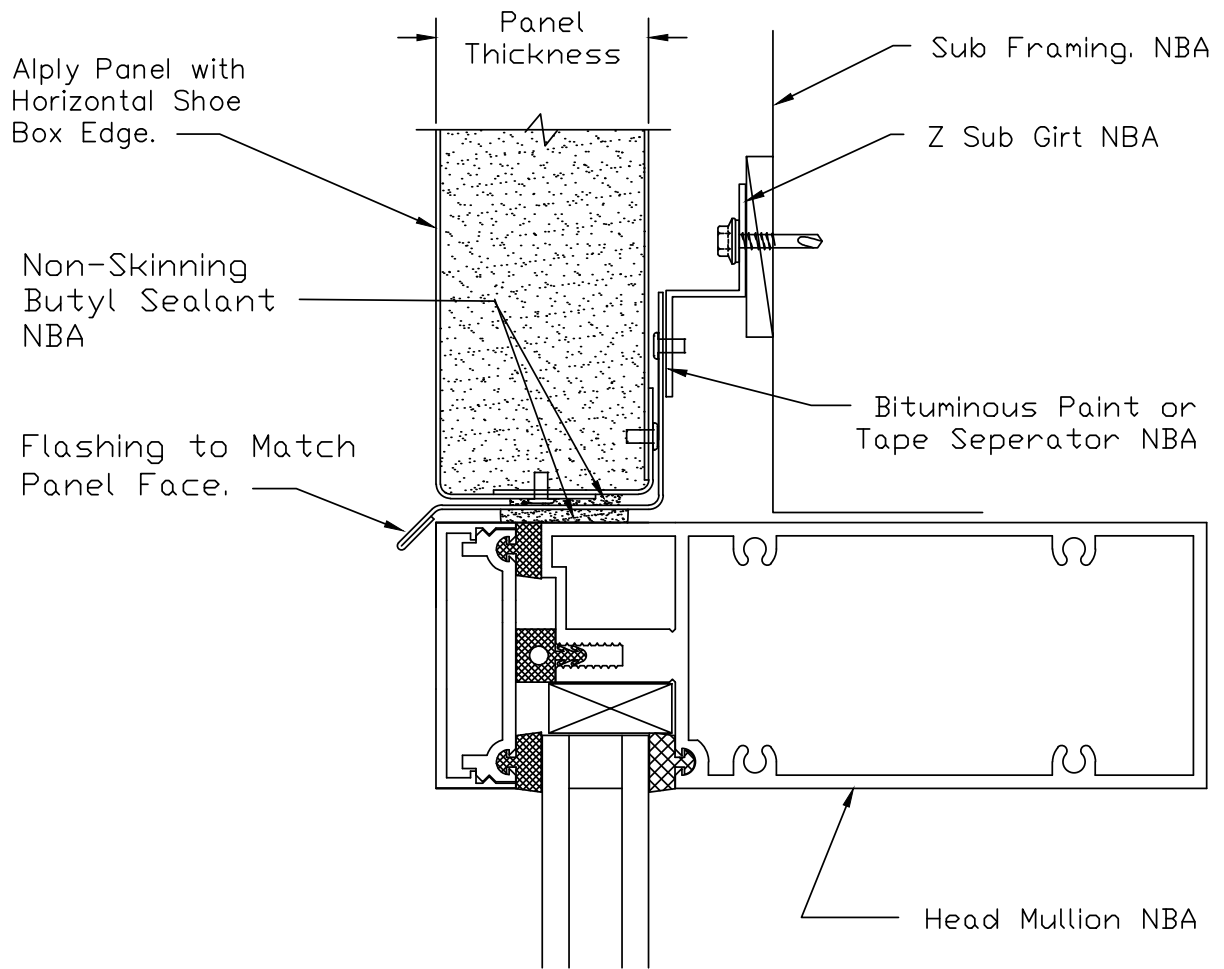


**Alply panel at window jamb silicone sealant, with connection vertical fastening**





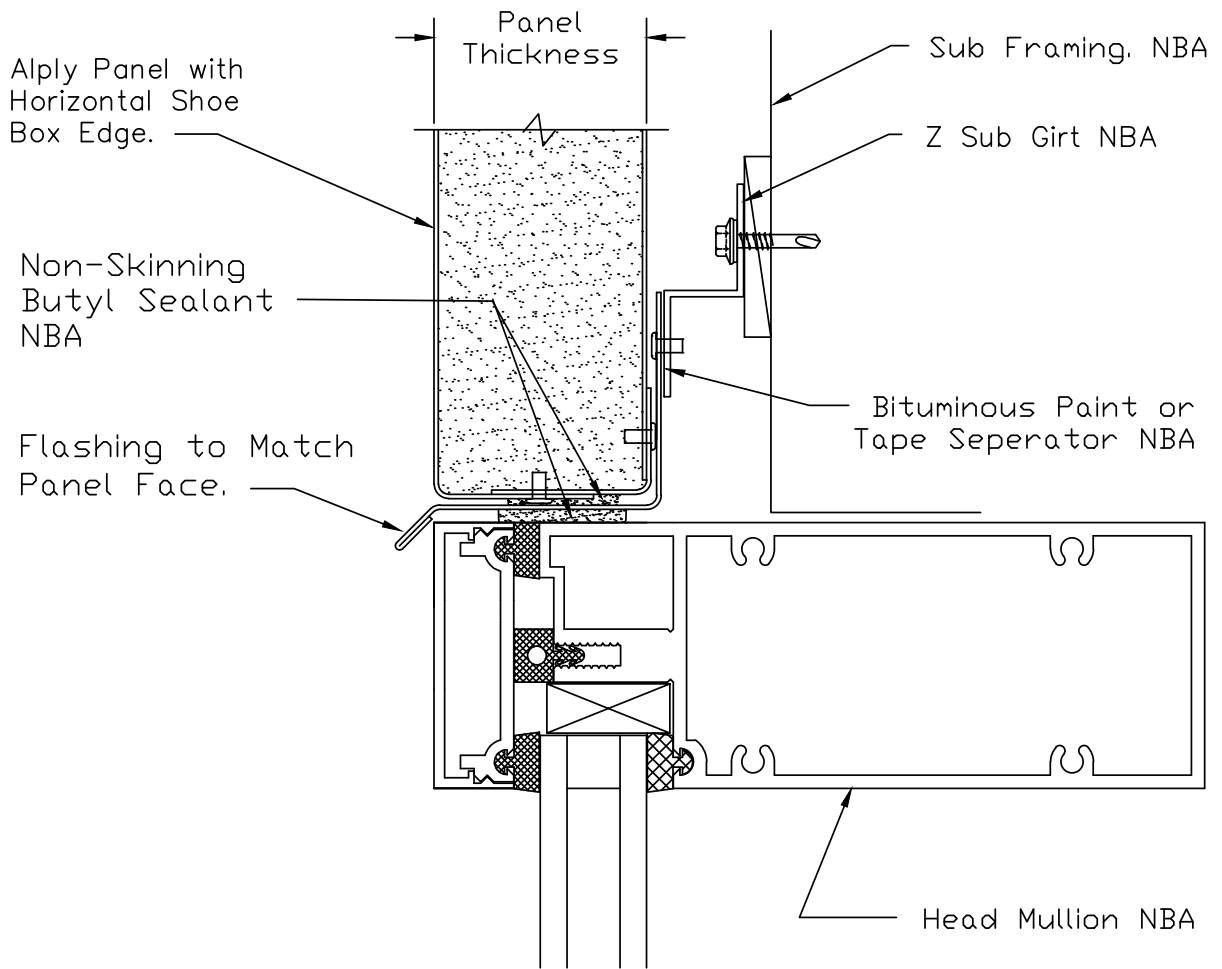
# Sketch 9



Alply panel at window head vertical fastening



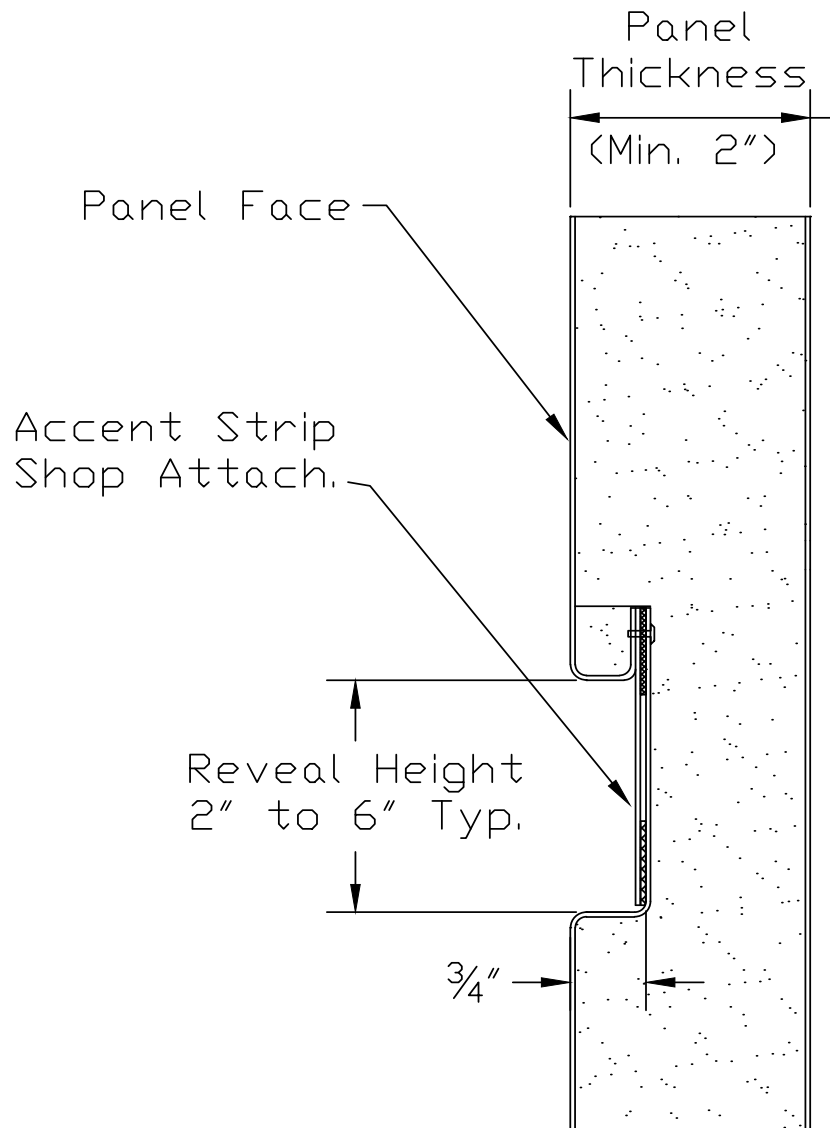
# Sketch 10



## Horizontal reveal with center fastener



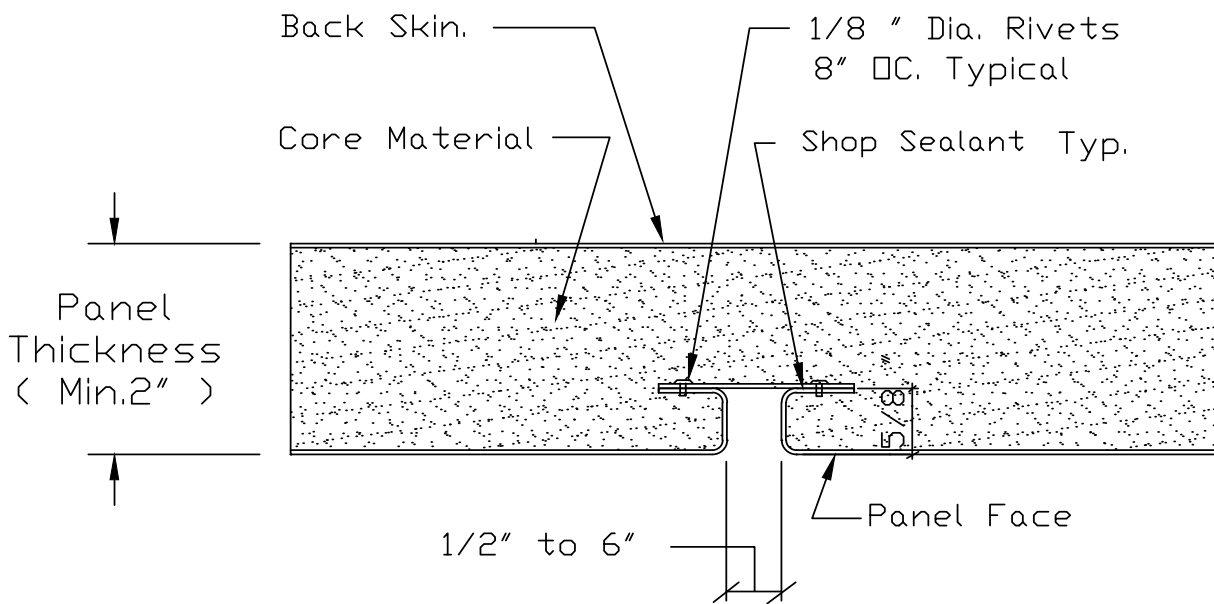
# Sketch 11



**Horizontal reveal with accent strip  
vertical panel fastening**



# Sketch 12

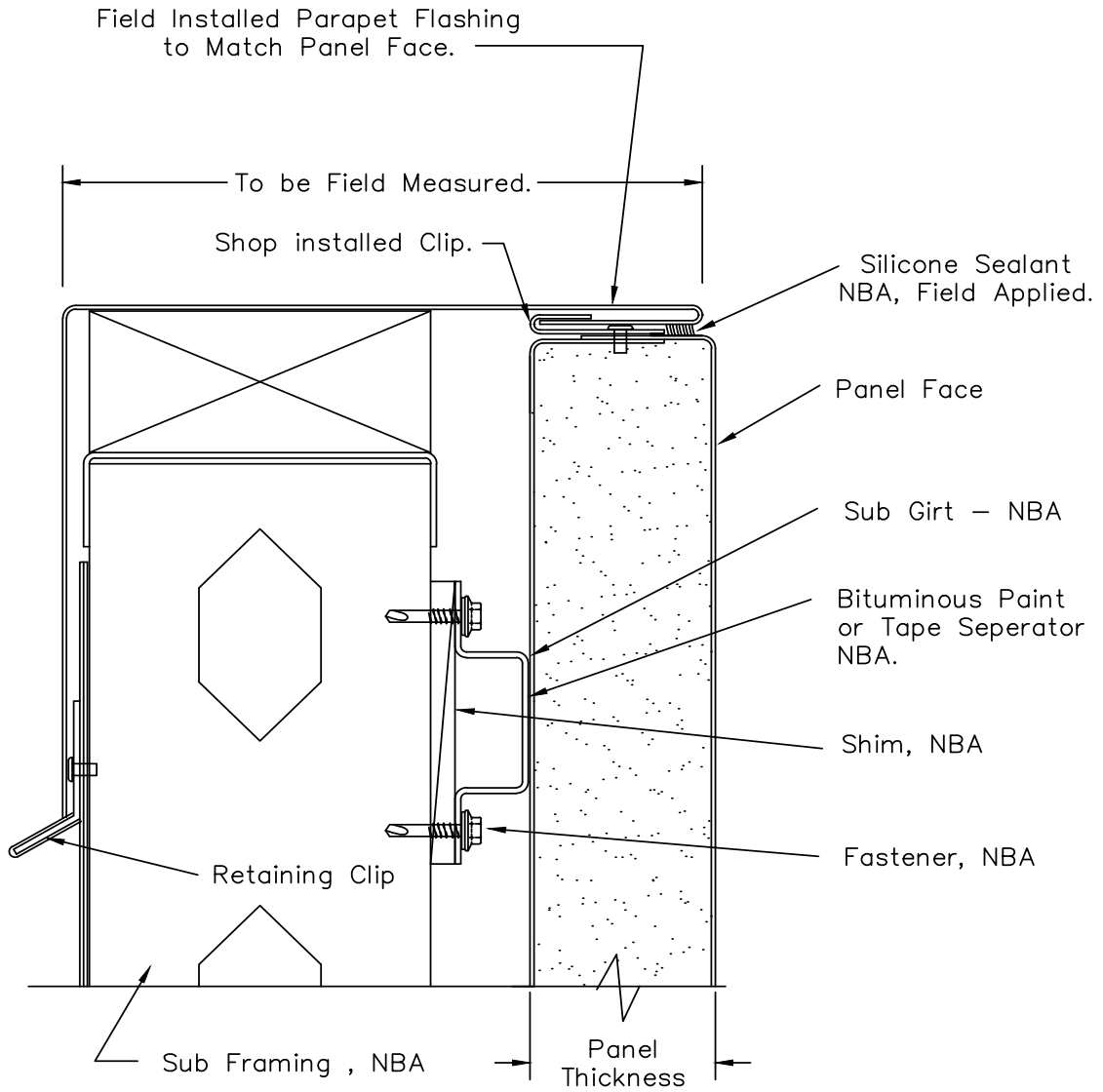


## Vertical reveal

Panel must be supported at horizontal edges. Intermediate connection maybe required to meet wind loading conditions.



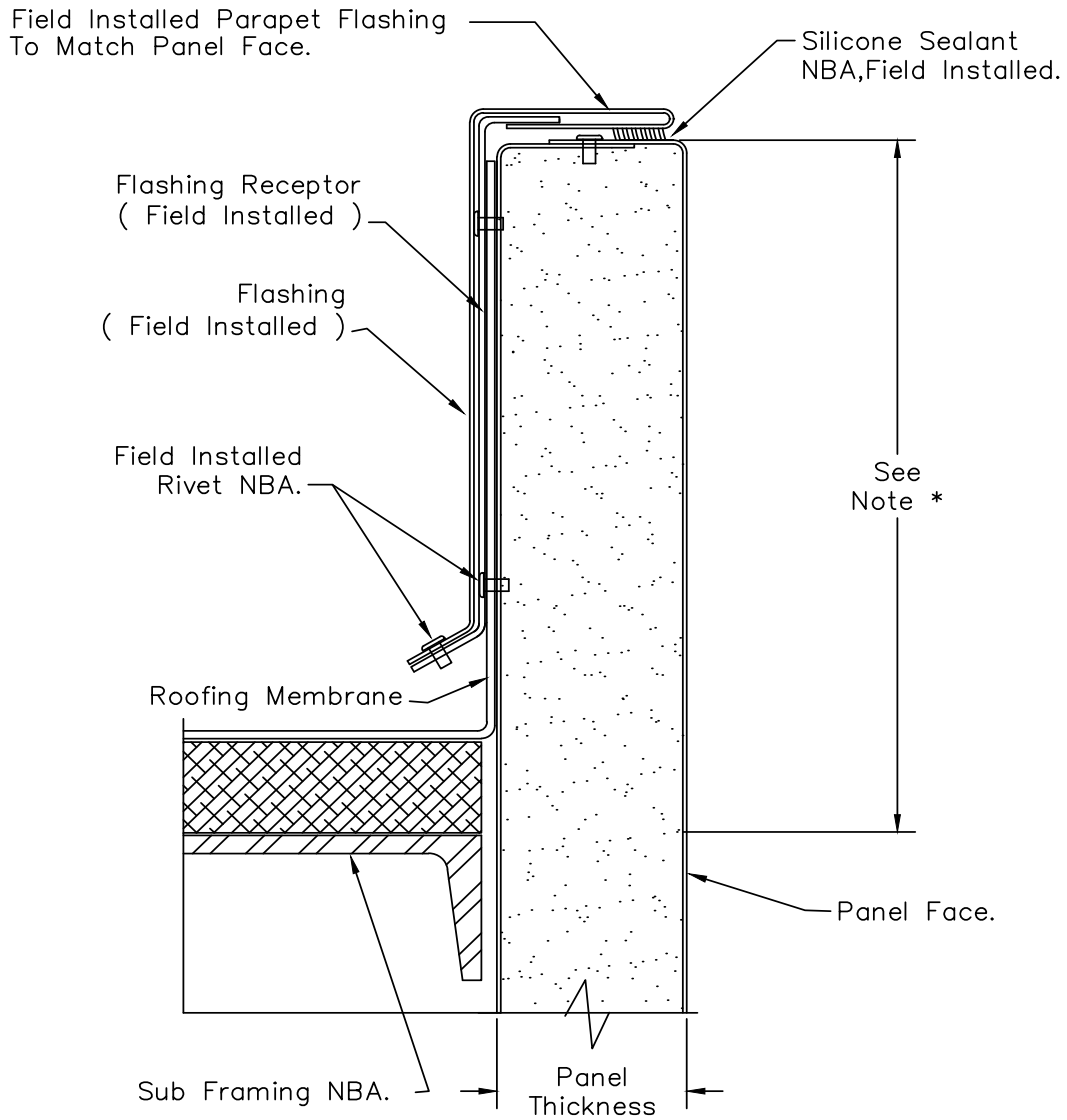
# Sketch 13



## Parapet flashing detail



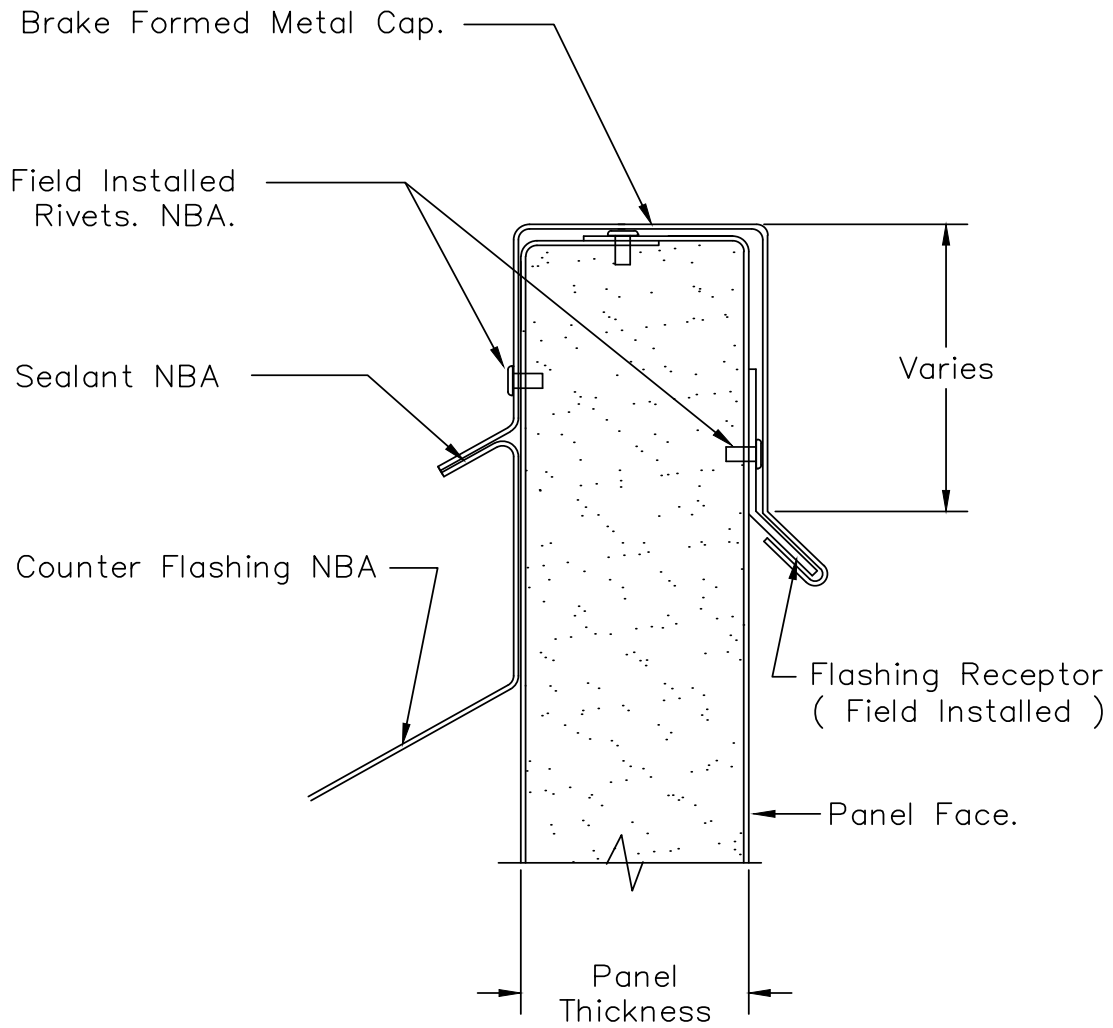
# Sketch 14



## Parapet flashing - cantilevered panel



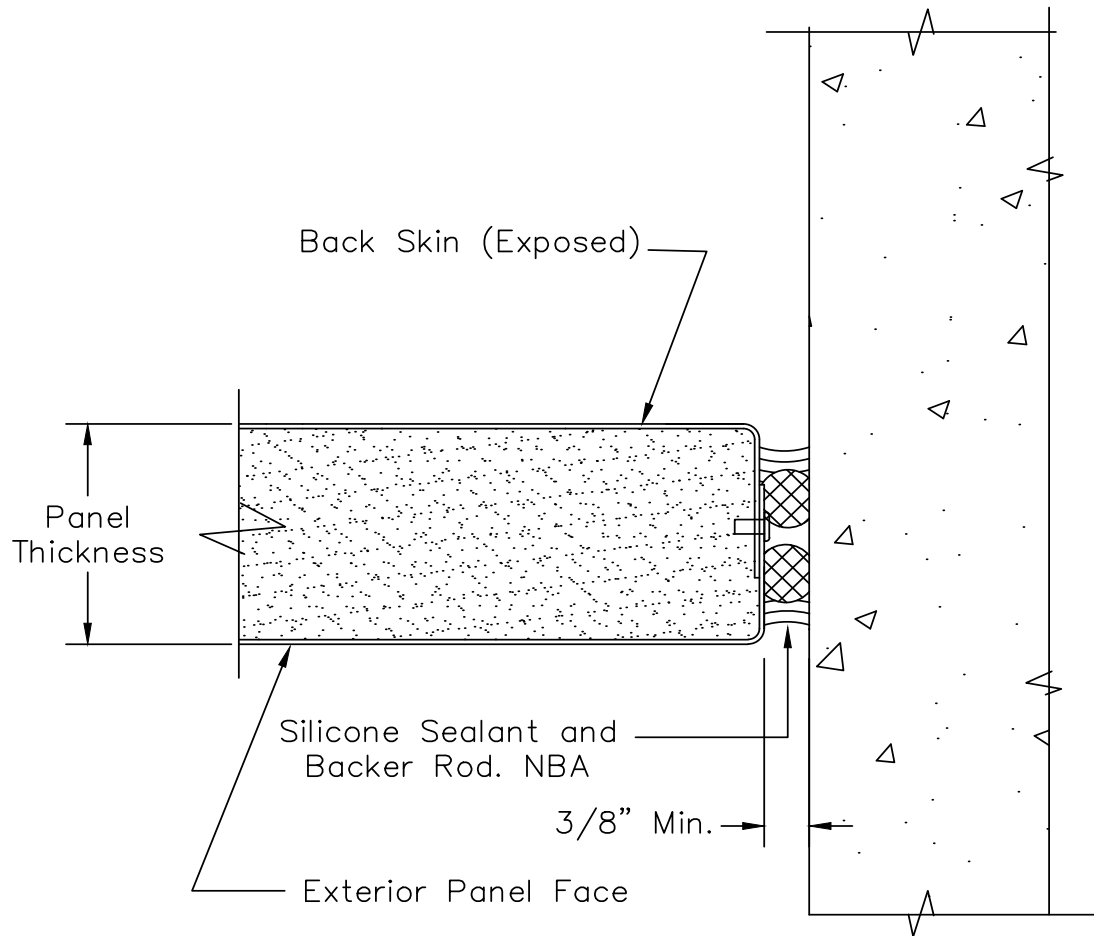
# Sketch 15



## Panel cap at parapet



# Sketch 16

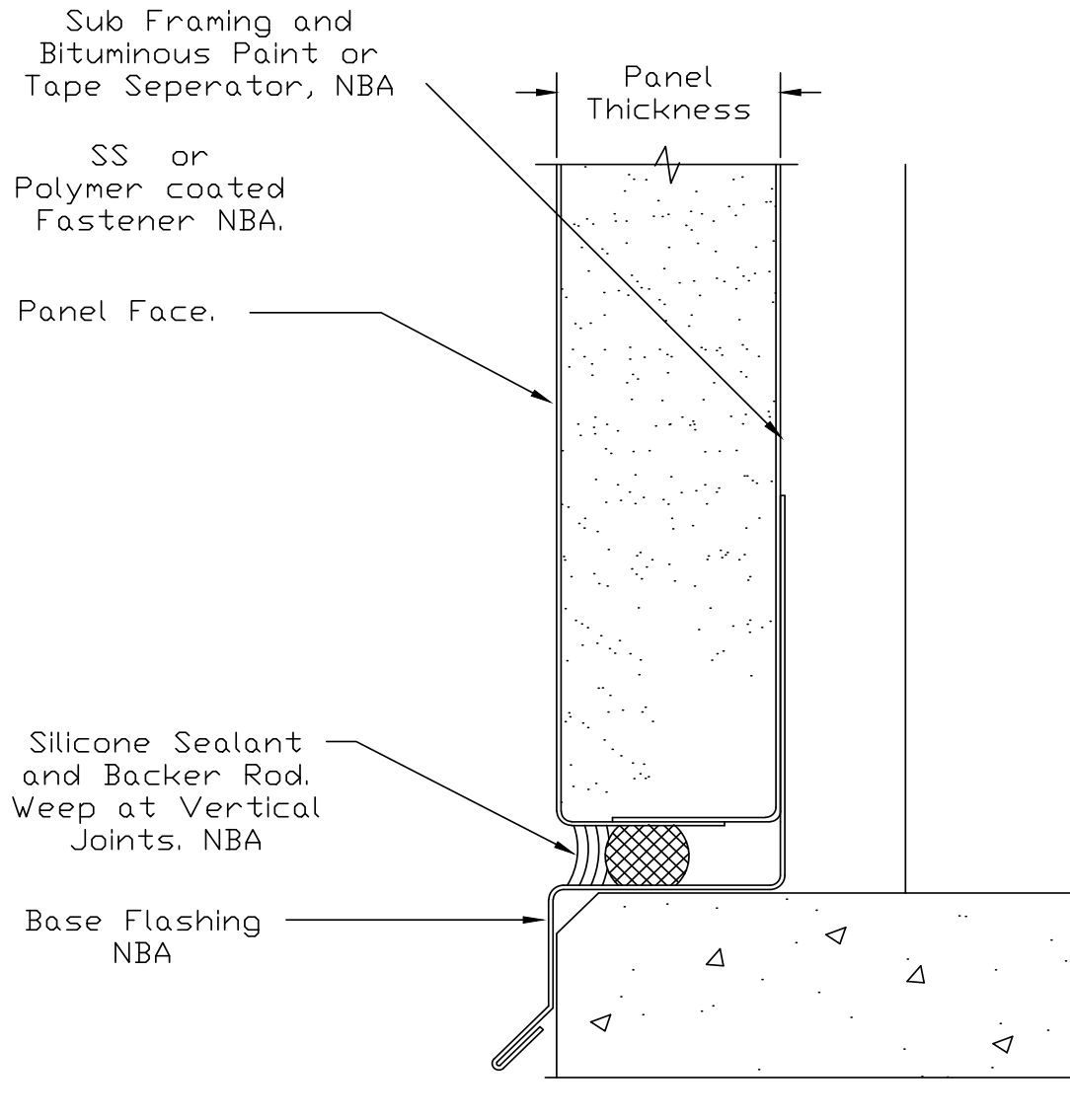


## Shoe box & wet seal at end wall





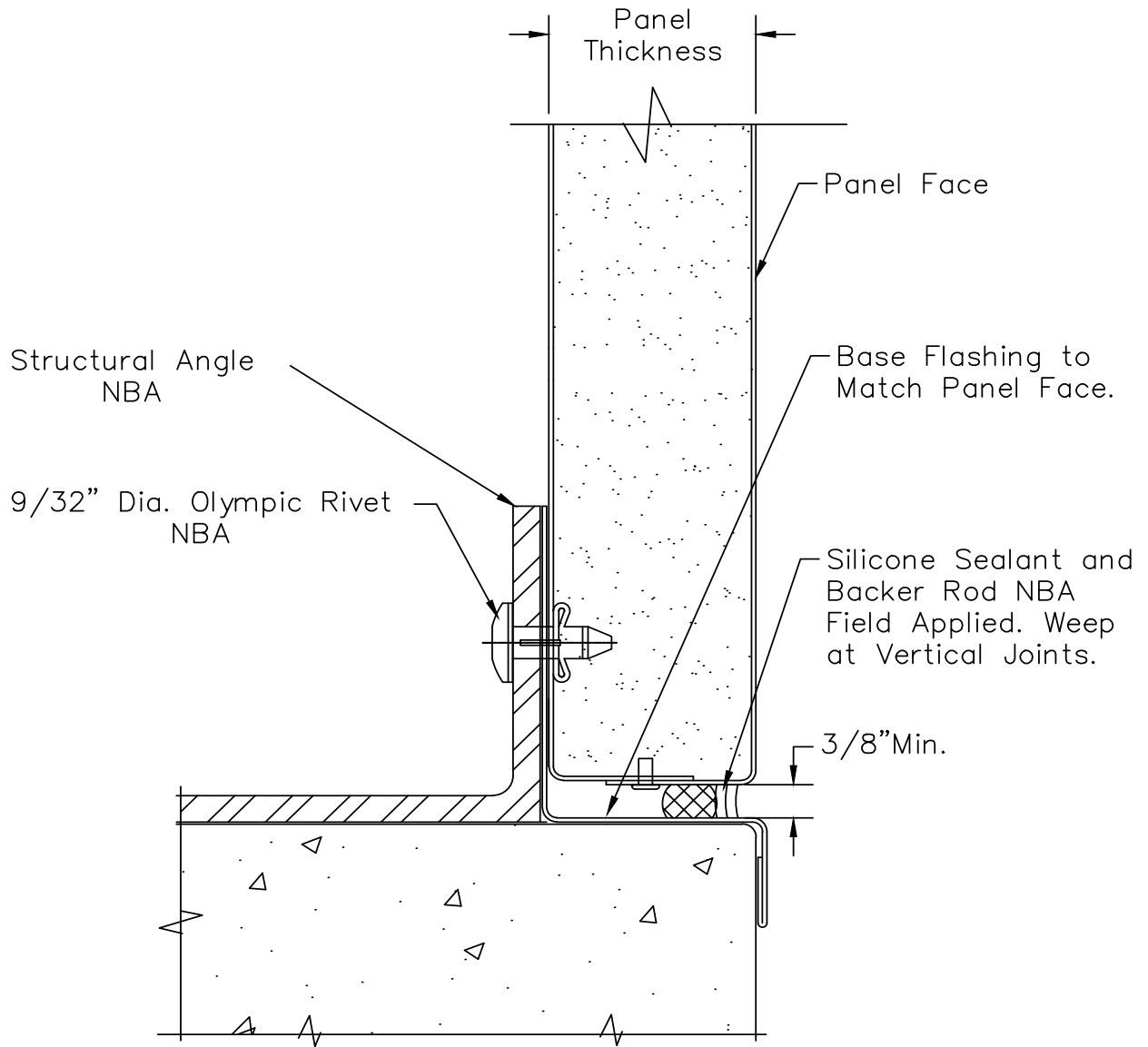
# Sketch 17



**Aply panel base detail vertical fastening**



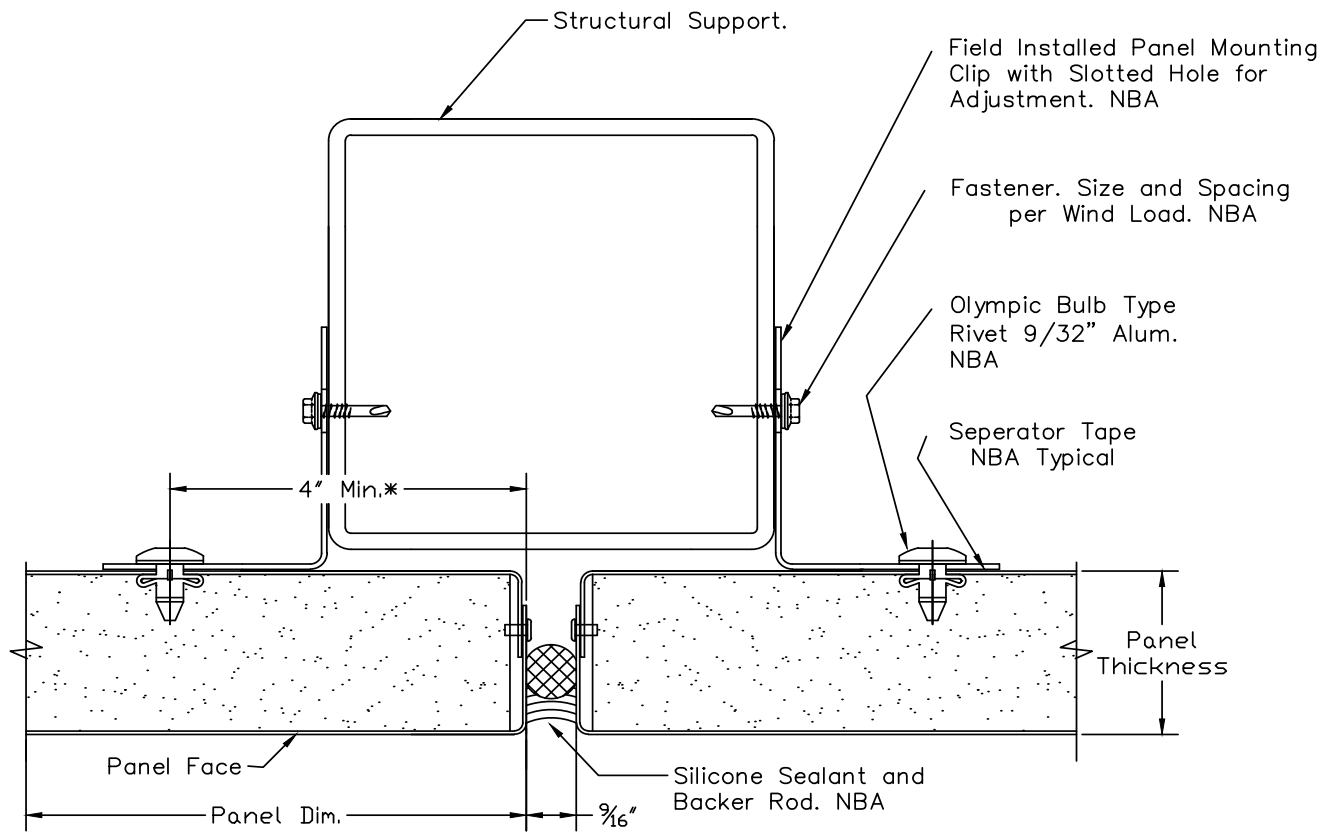
# Sketch 18



**Back fastening panel. Shoe box & wet seal at base.**



# Sketch 19

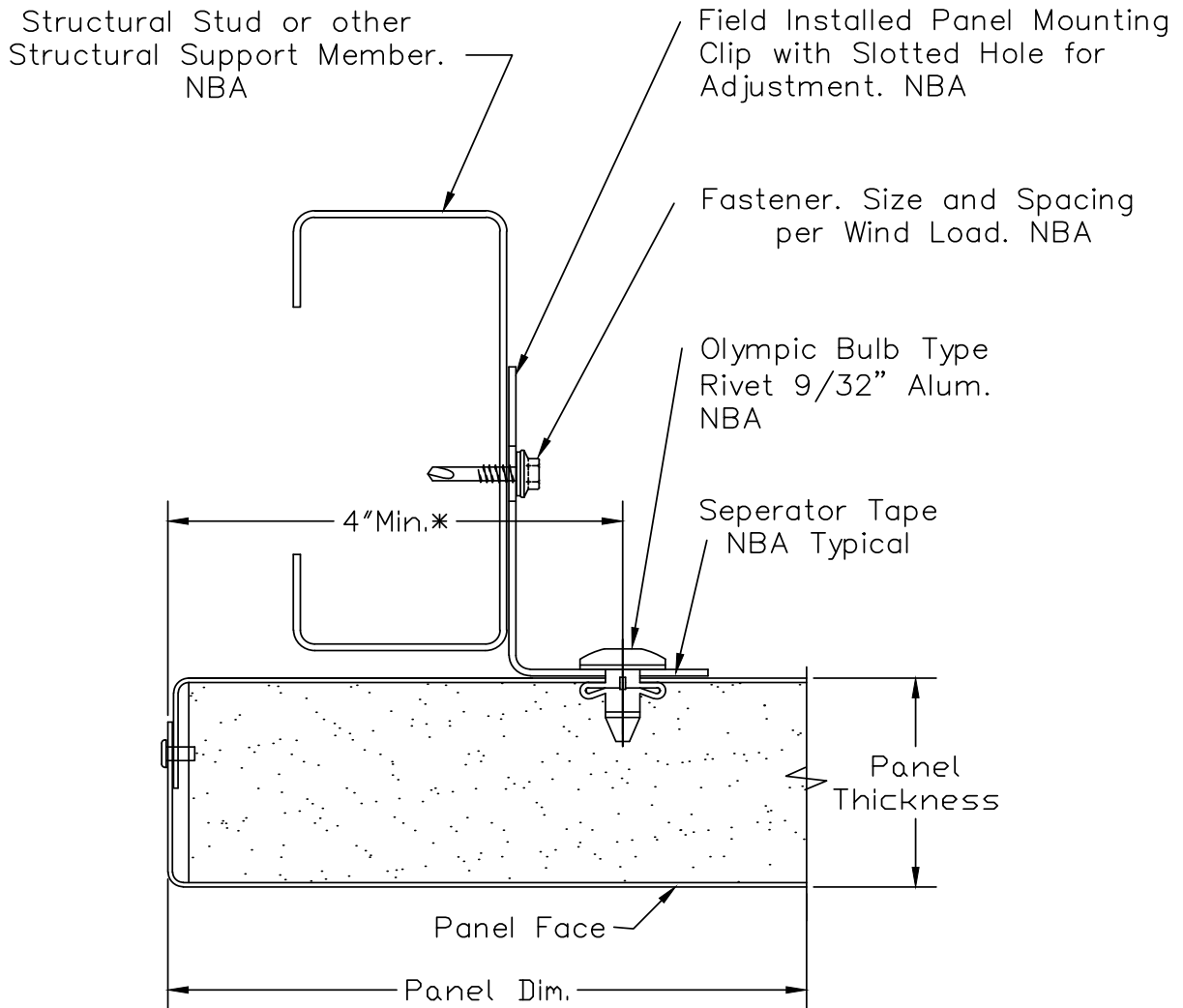


\* 4" Minimum for Raw Edge BackSkin Condition.  
 No minimum for Shoe Box Edge Condition.

## Back fastening at joint panel



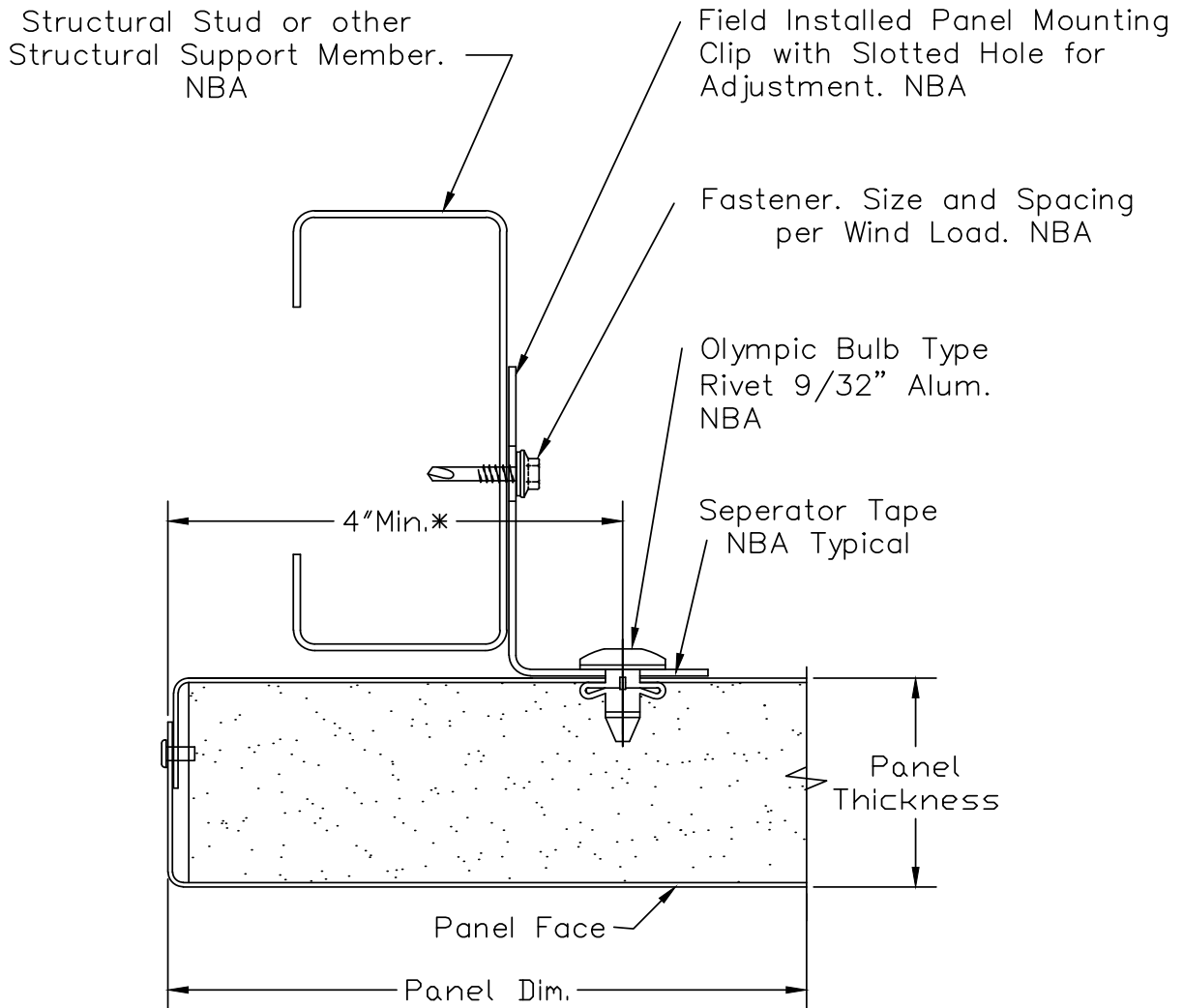
# Sketch 20



## Back fastening mounting detail



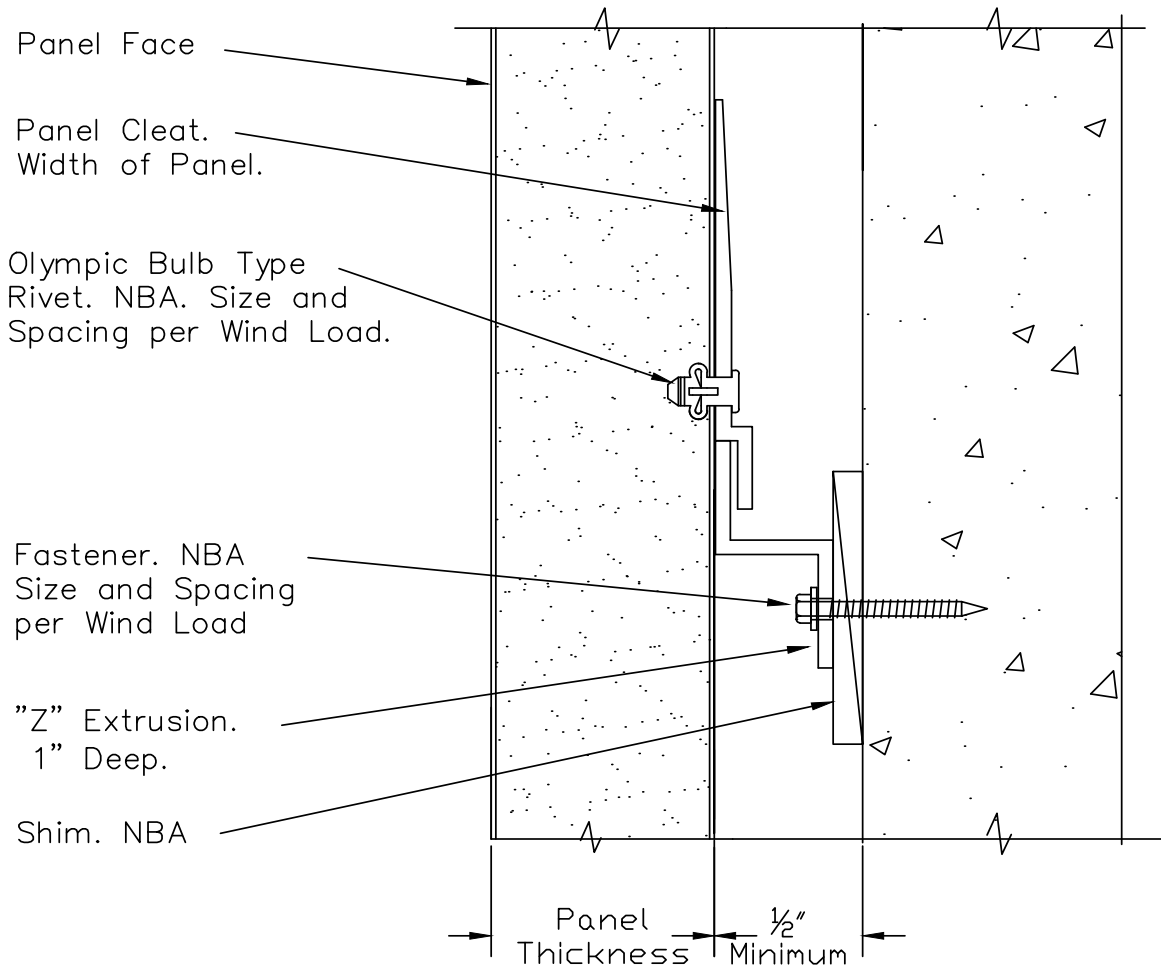
# Sketch 21



Retro fit mounting - "J" extrusion



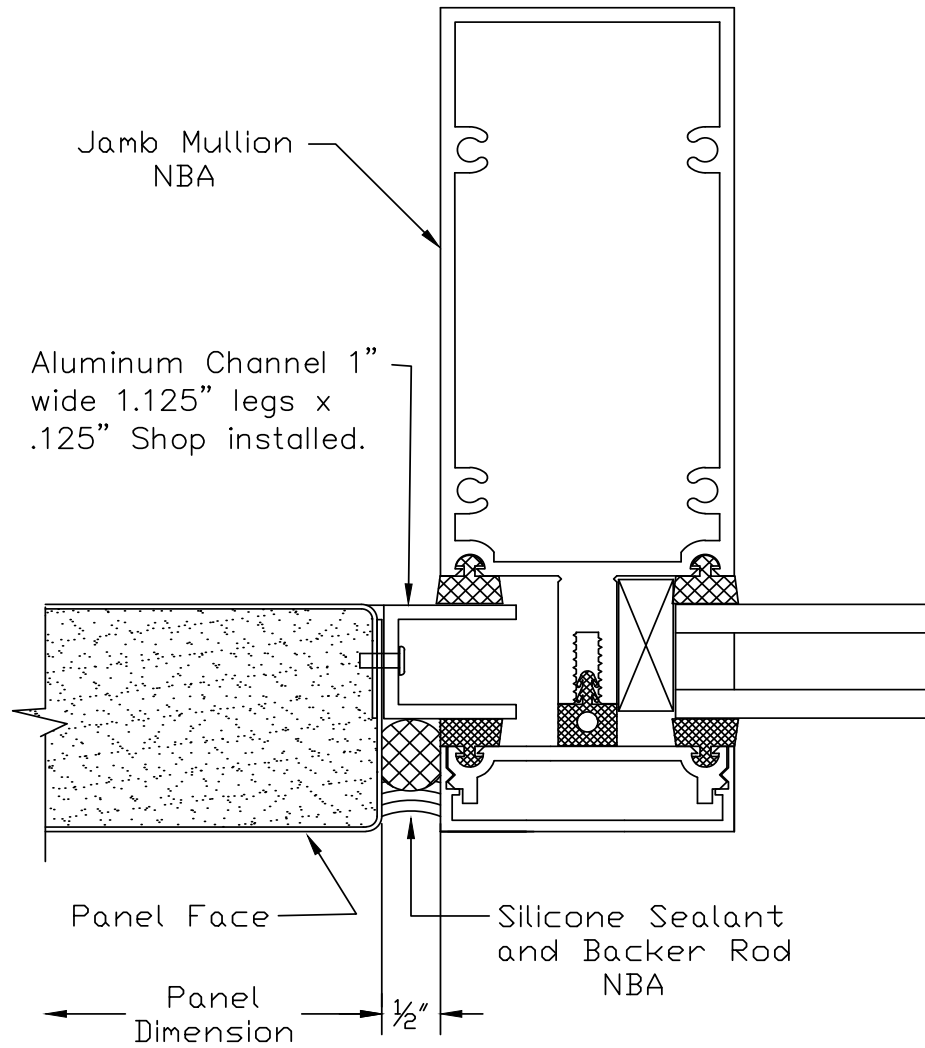
# Sketch 22



Retro fit mounting - "Z" extrusion



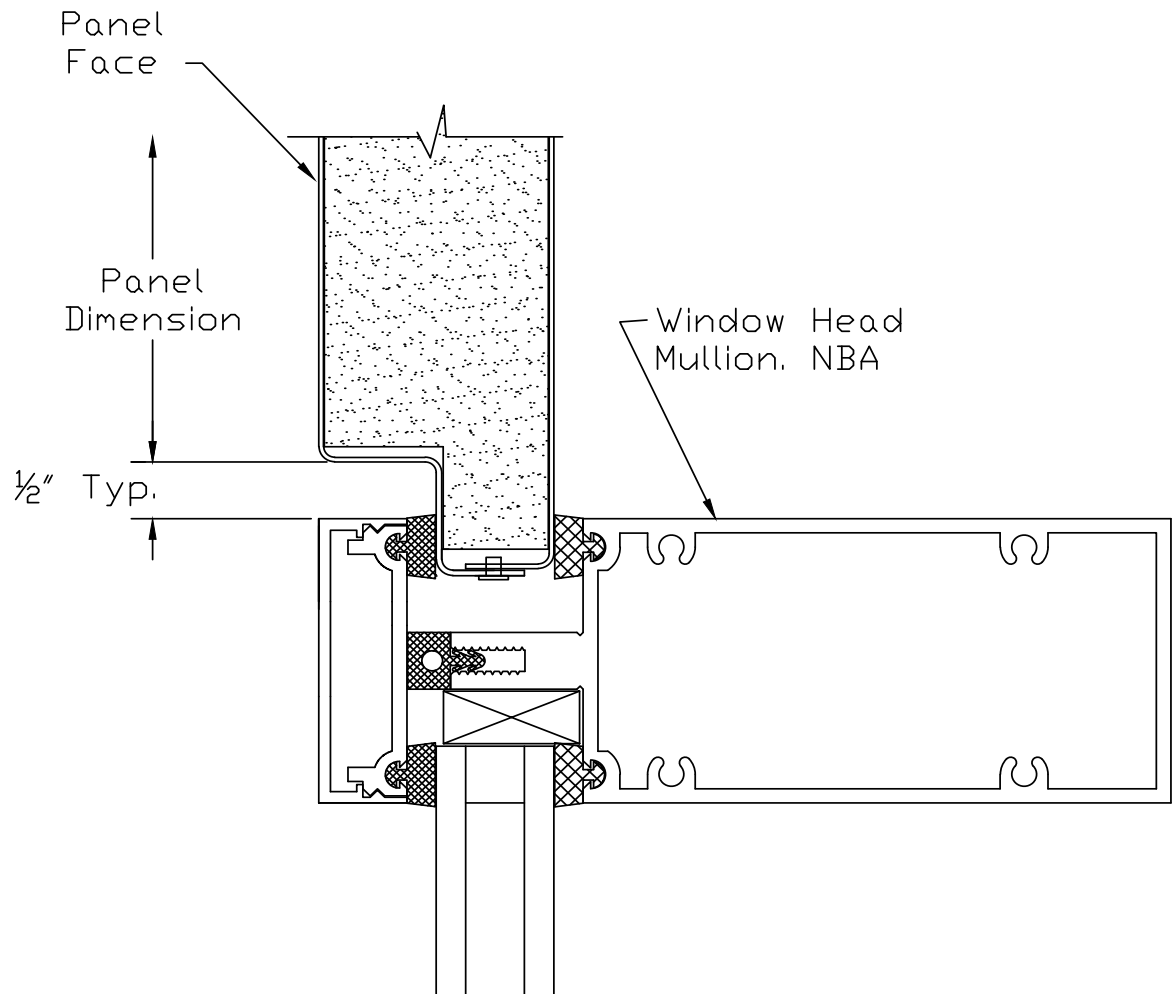
# Sketch 23



## Glaze in channel connection



# Sketch 24

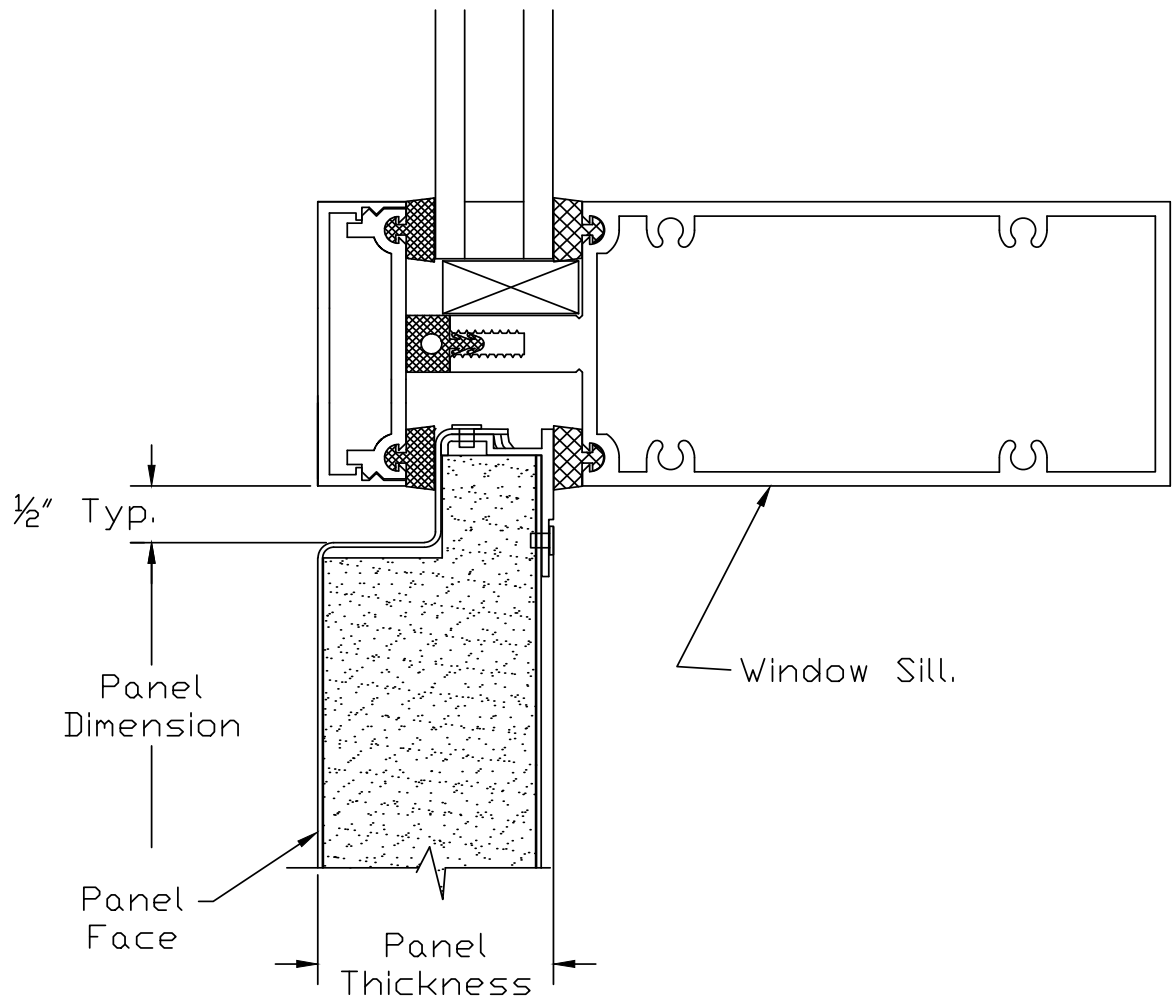


Glaze in panel - off set edge at window head





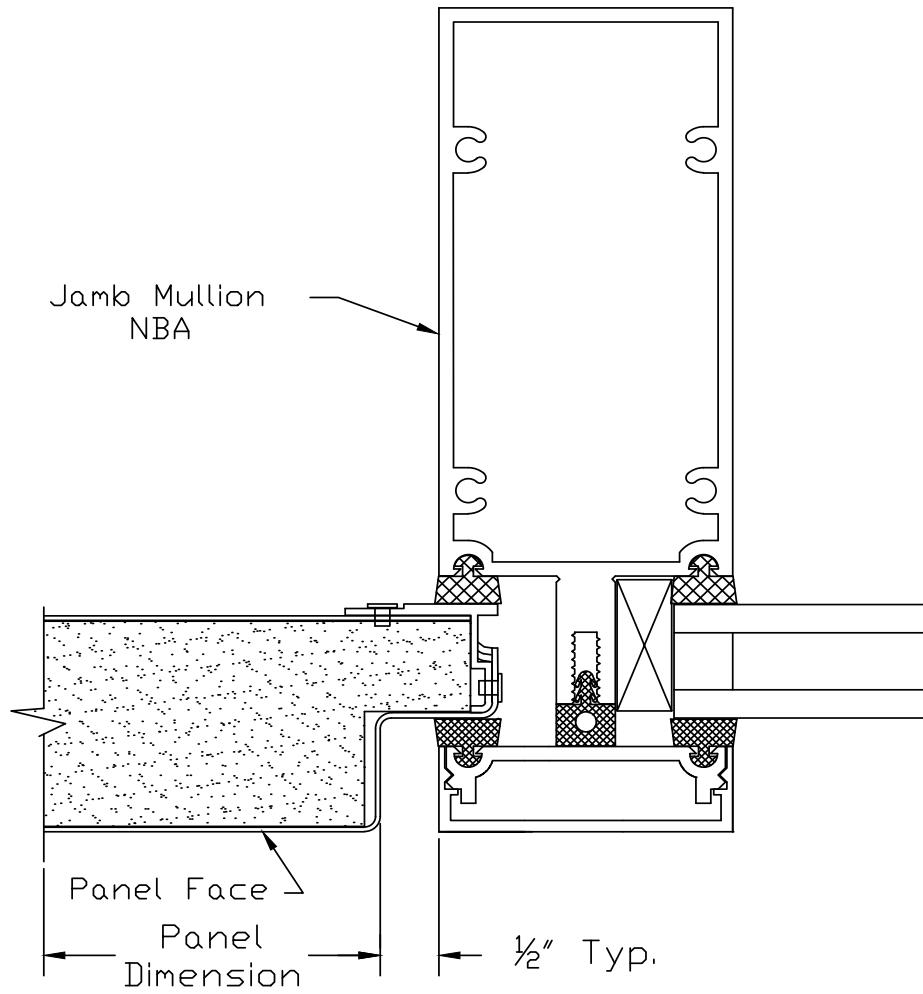
# Sketch 25



Glaze in panel - off set edge at window sill



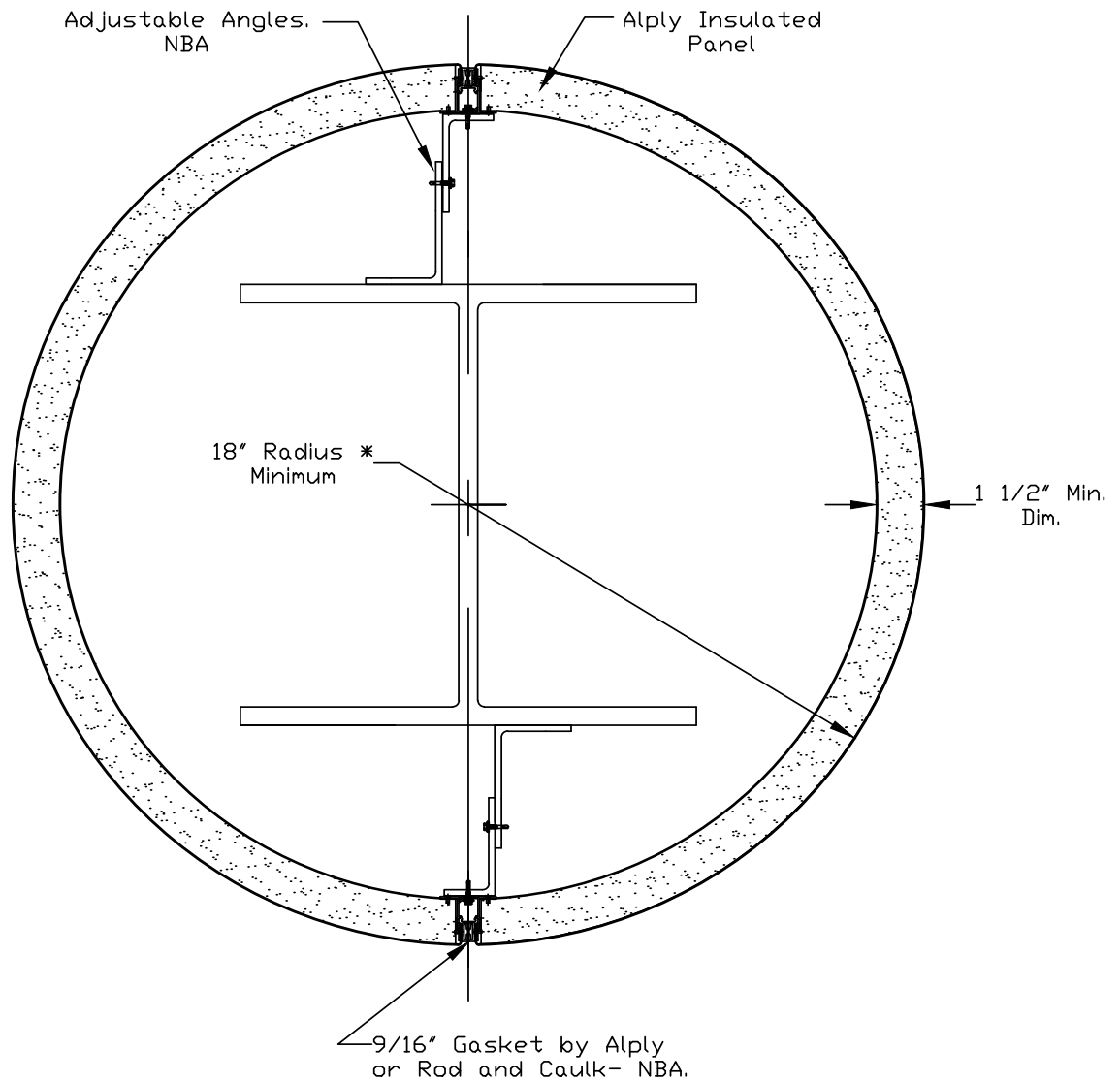
# Sketch 26



Glaze in panel - off set edge at window jamb



# Sketch 27

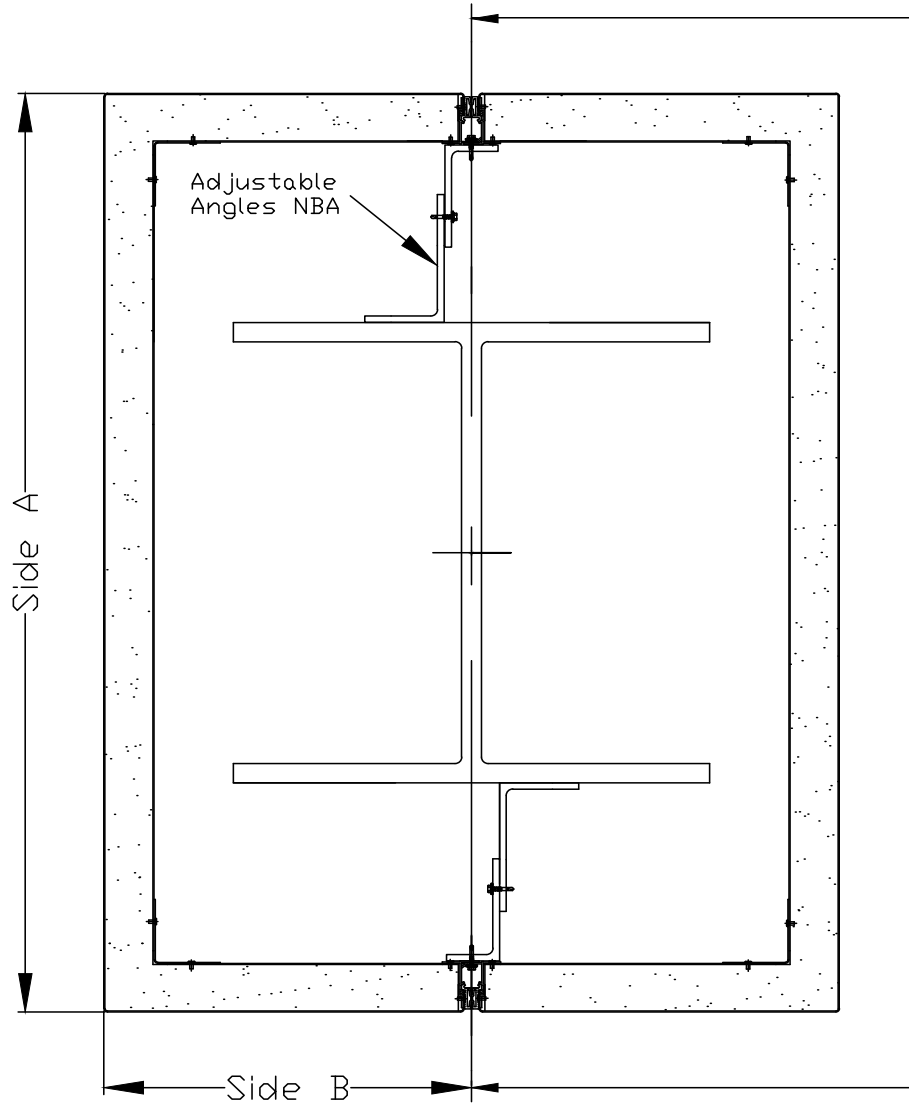


\* For other Radii see Alply's Column Cover Design Manual.

## Radius column / beam enclosure



# Sketch 28



The Sum of the Lengths of All Sides must be 58" or Less.

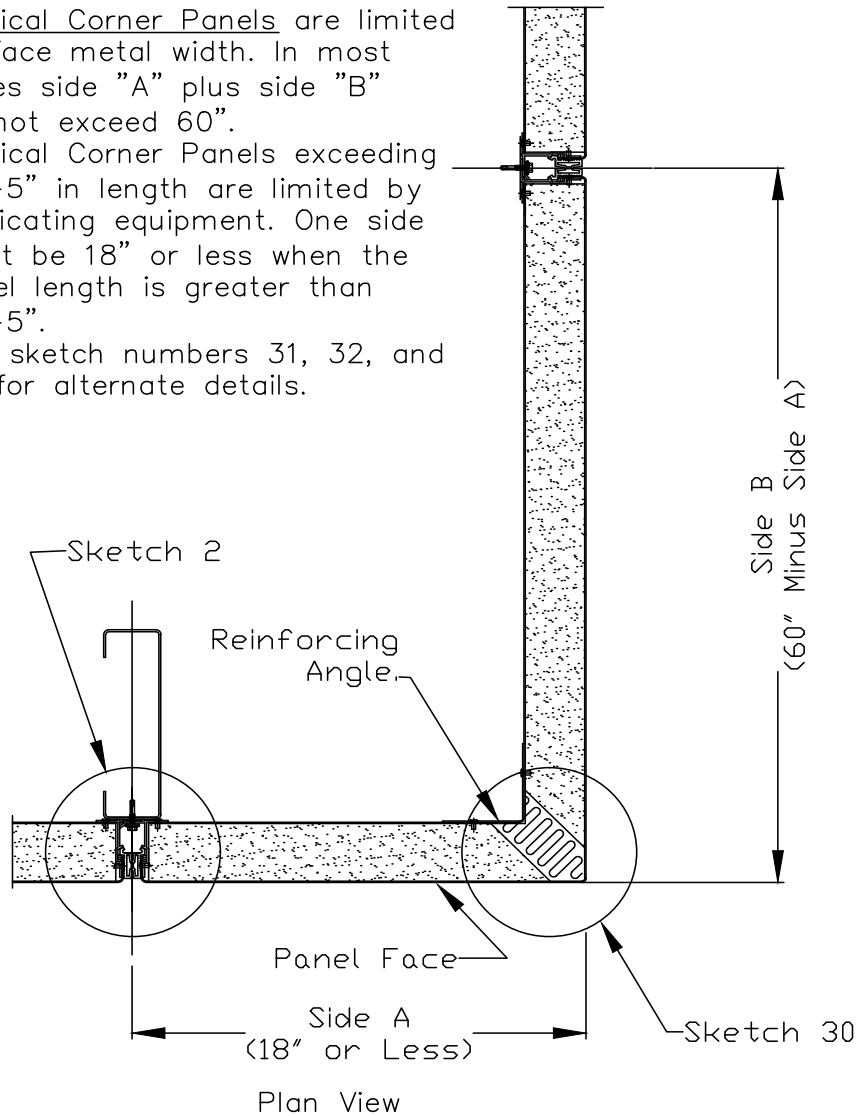
Note: The Length of Side B must be 1/2 or Less than the Length of Side A.

## Rectangular Column / beam enclosure



# Sketch 29

Vertical Corner Panels are limited by face metal width. In most cases side "A" plus side "B" cannot exceed 60". Vertical Corner Panels exceeding 12'-5" in length are limited by fabricating equipment. One side must be 18" or less when the panel length is greater than 12'-5". See sketch numbers 31, 32, and 33 for alternate details.

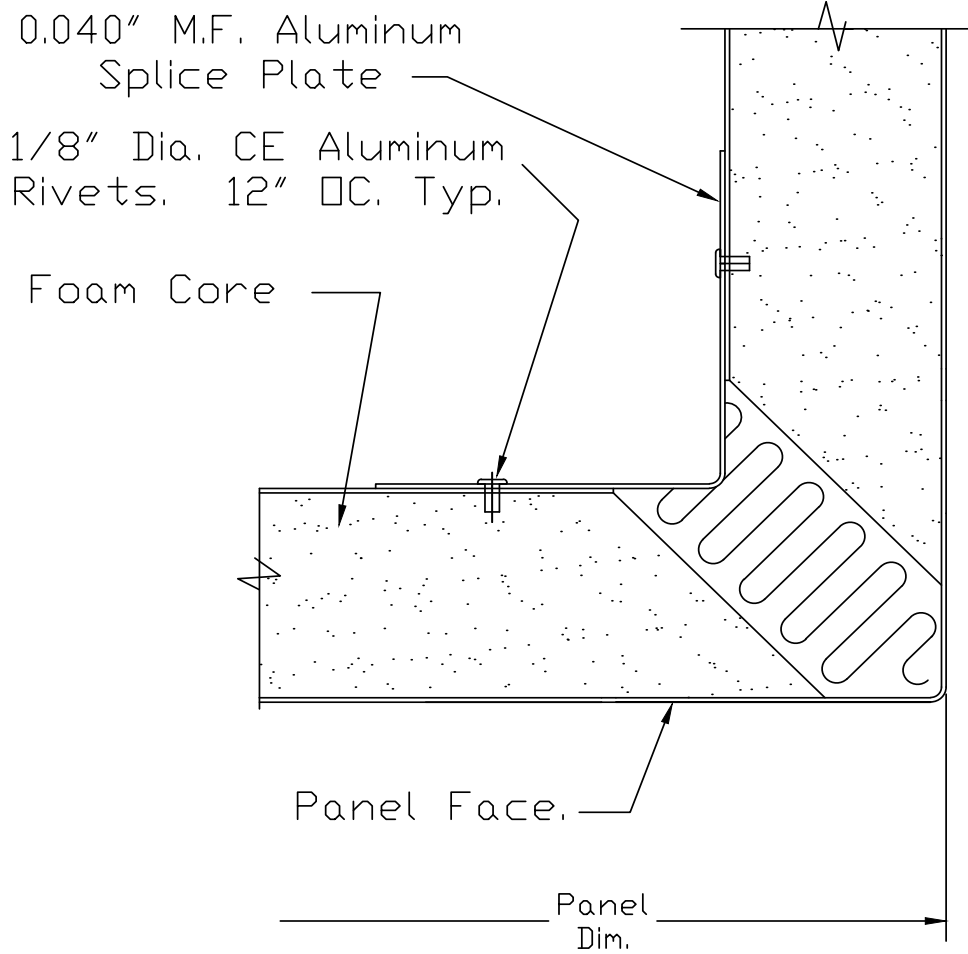


Note: This sketch also applies to Fascia / Soffit panels.

## Outside corner panel



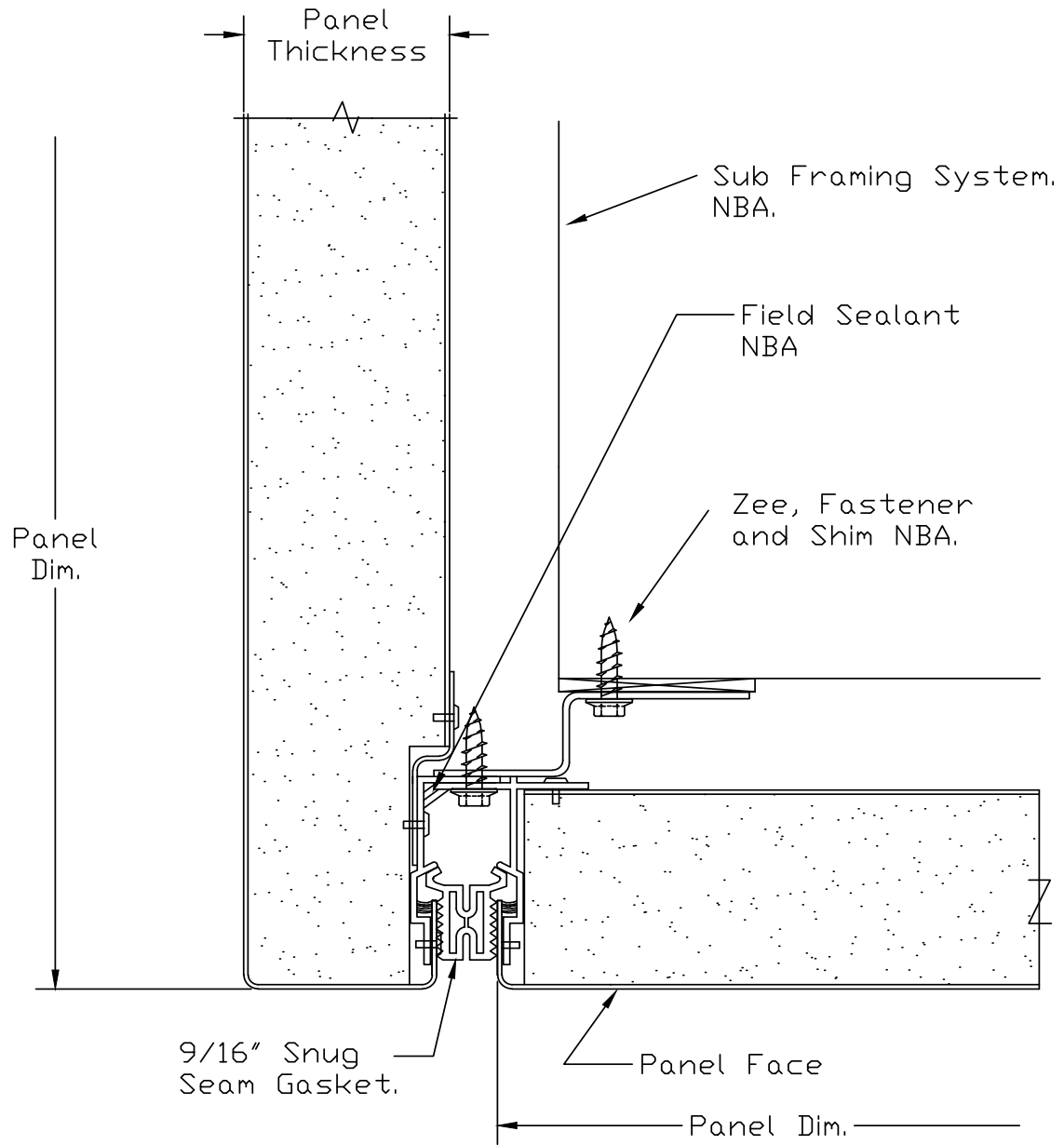
# Sketch 30



## Outside corner detail



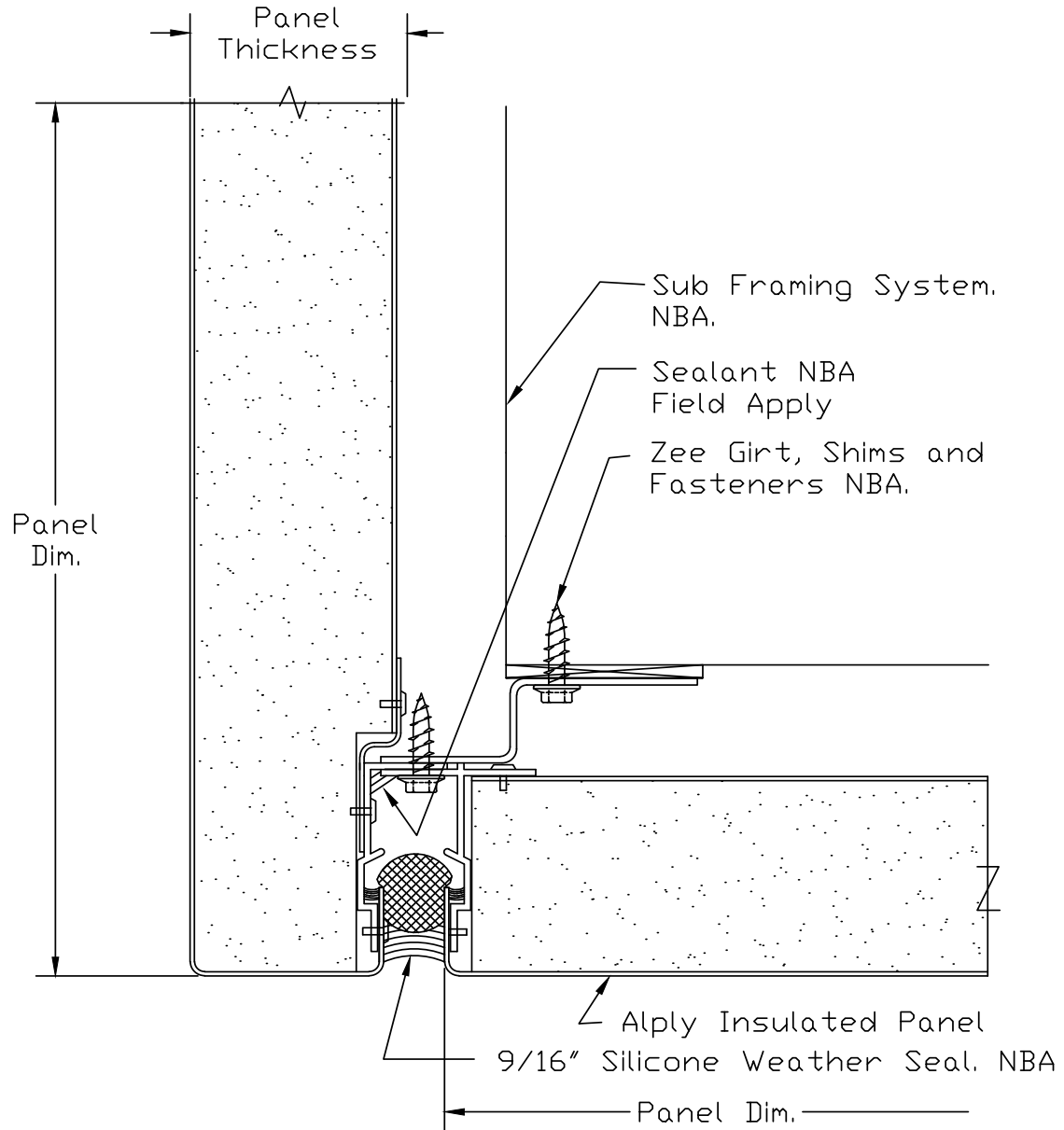
# Sketch 31



Outside corner detail fascia / soffit with gasket



# Sketch 32



Outside corner detail fascia / soffit & sealant

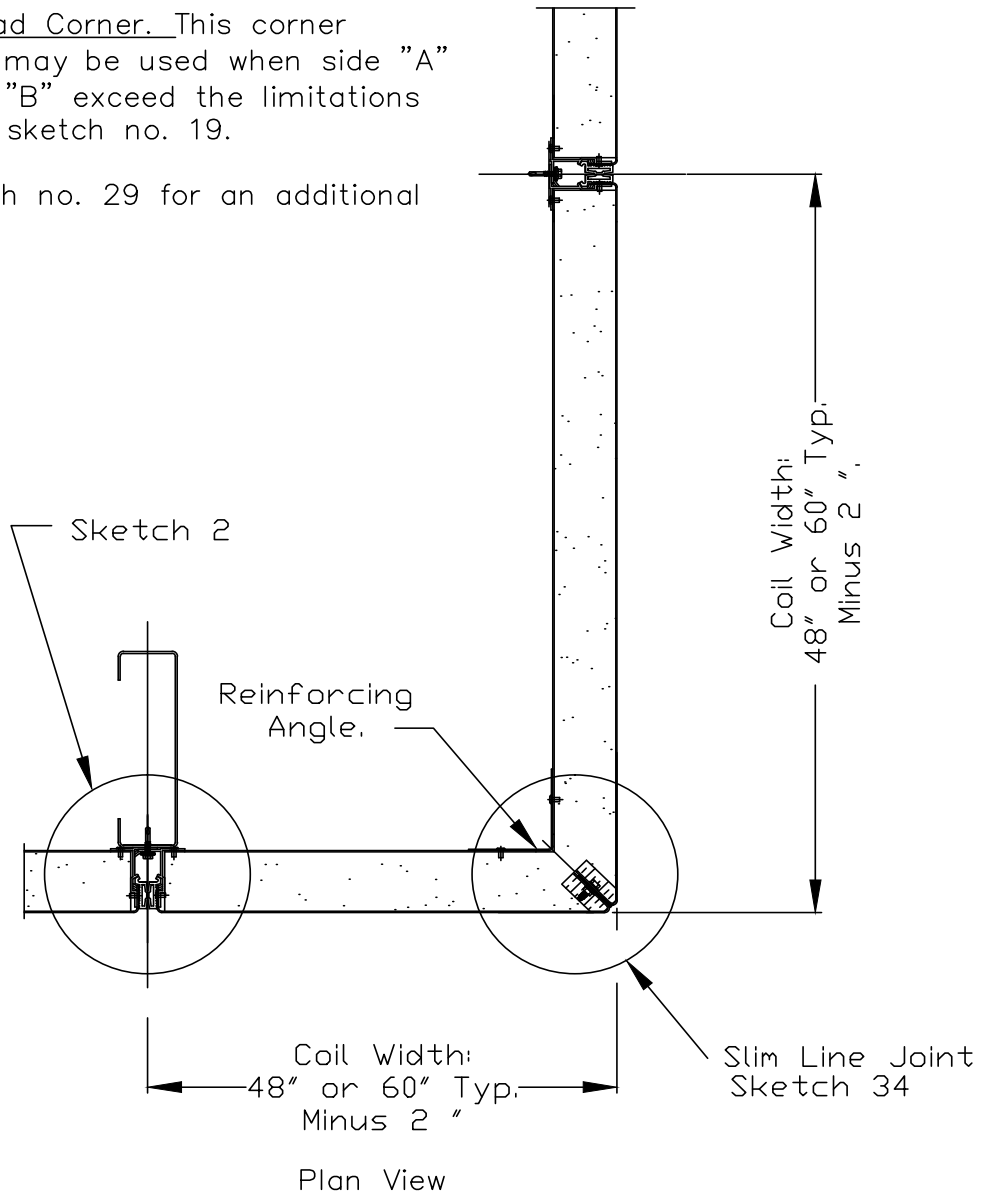




# Sketch 33

Arrow Head Corner. This corner condition may be used when side "A" plus side "B" exceed the limitations noted on sketch no. 19.

See sketch no. 29 for an additional option.

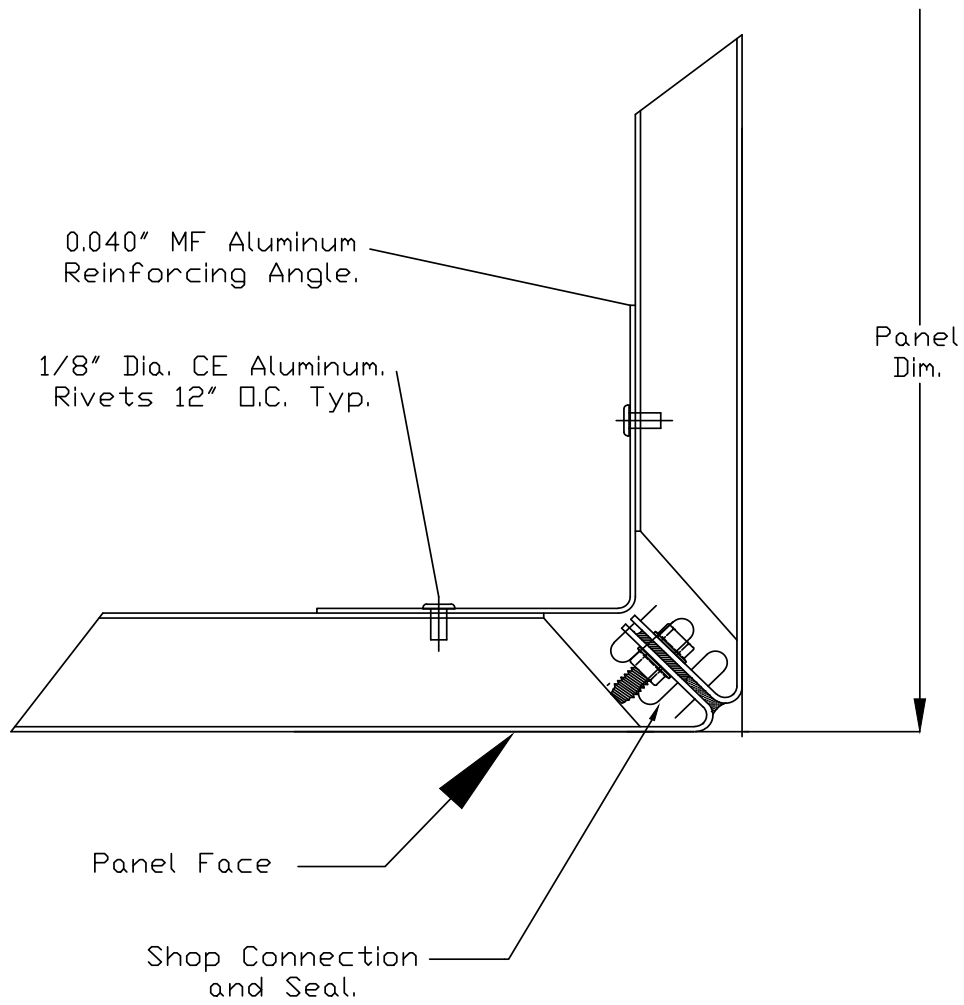


Note: This sketch also applies to Fascia / Soffit panels.

## Outside corner slim line arrow head



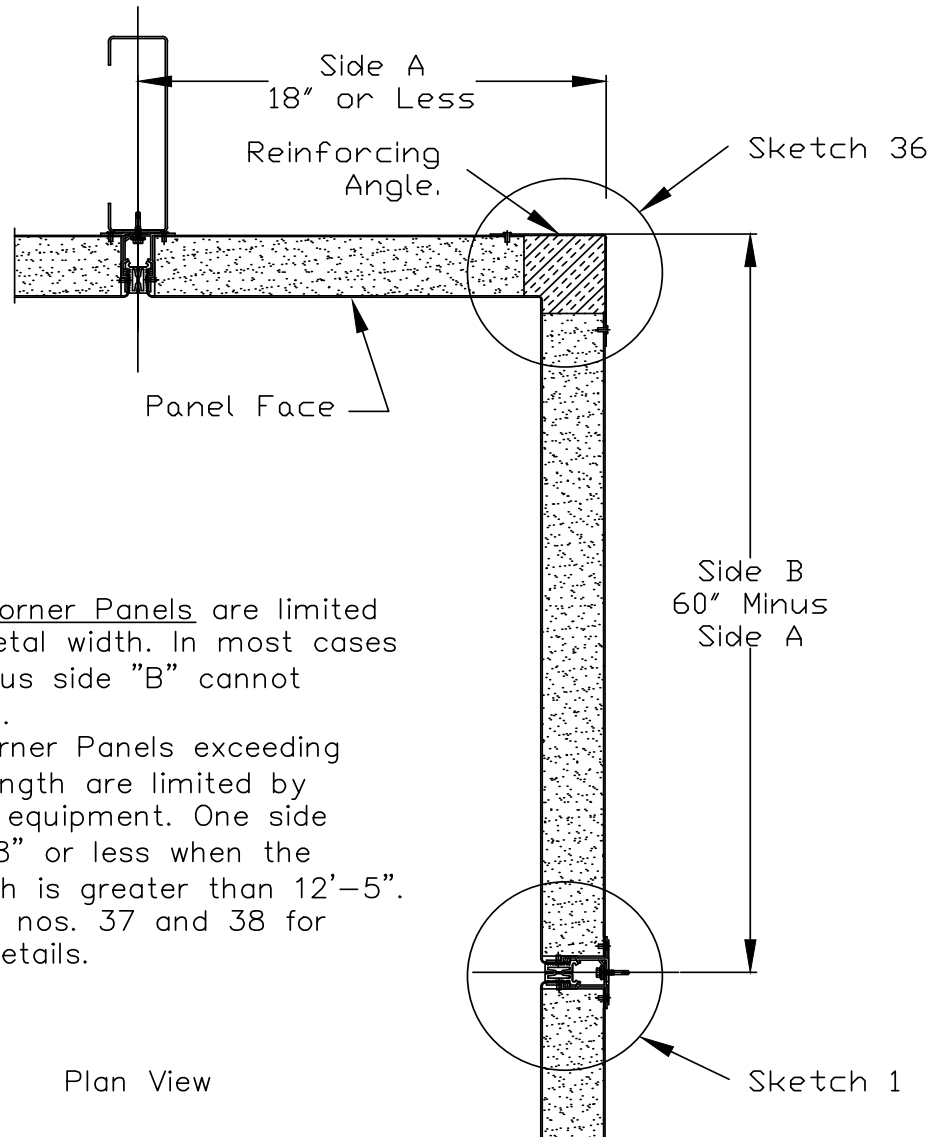
# Sketch 34



Outside corner slim line arrow head



# Sketch 35



Vertical Corner Panels are limited by face metal width. In most cases side "A" plus side "B" cannot exceed 60".

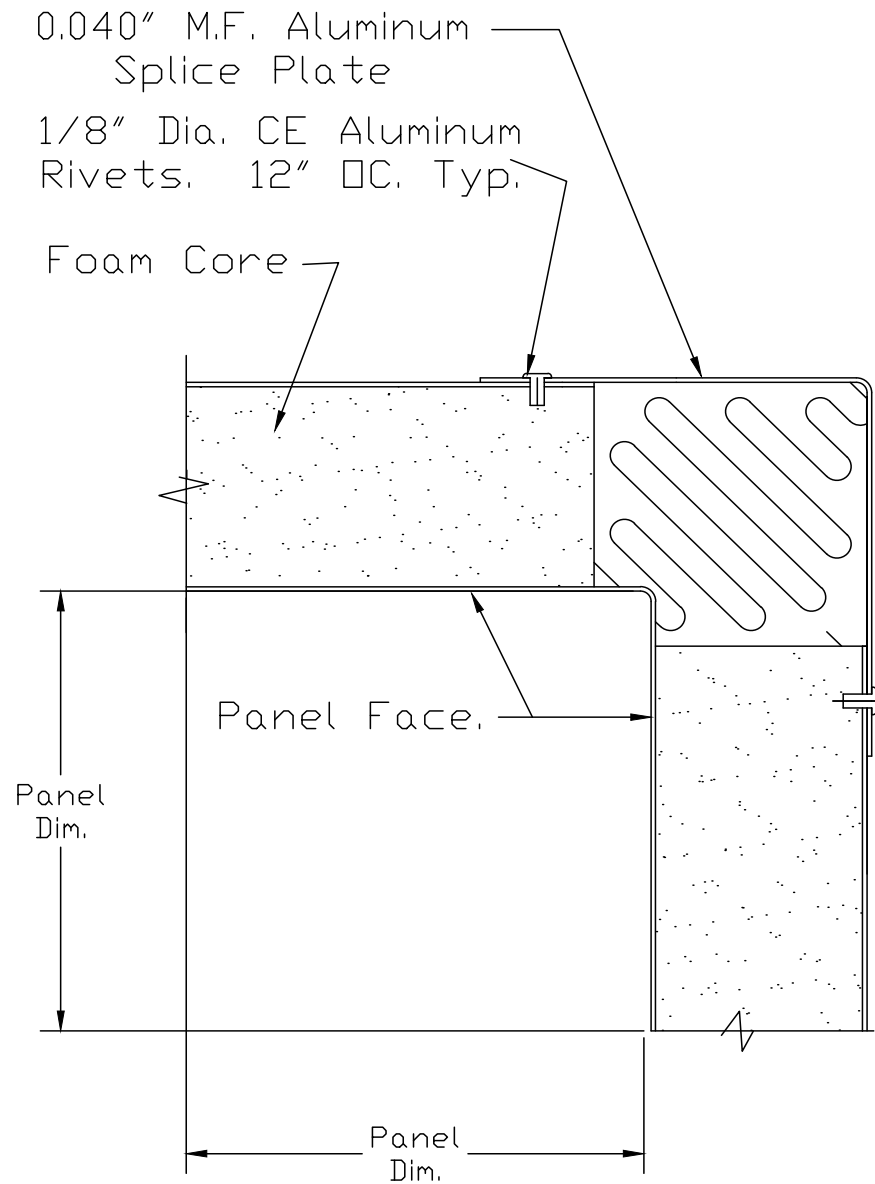
Vertical Corner Panels exceeding 12'-5" in length are limited by fabricating equipment. One side must be 18" or less when the panel length is greater than 12'-5". See sketch nos. 37 and 38 for alternate details.

Note: This sketch also applies to Fascia / Soffit panels.

## Inside corner panel



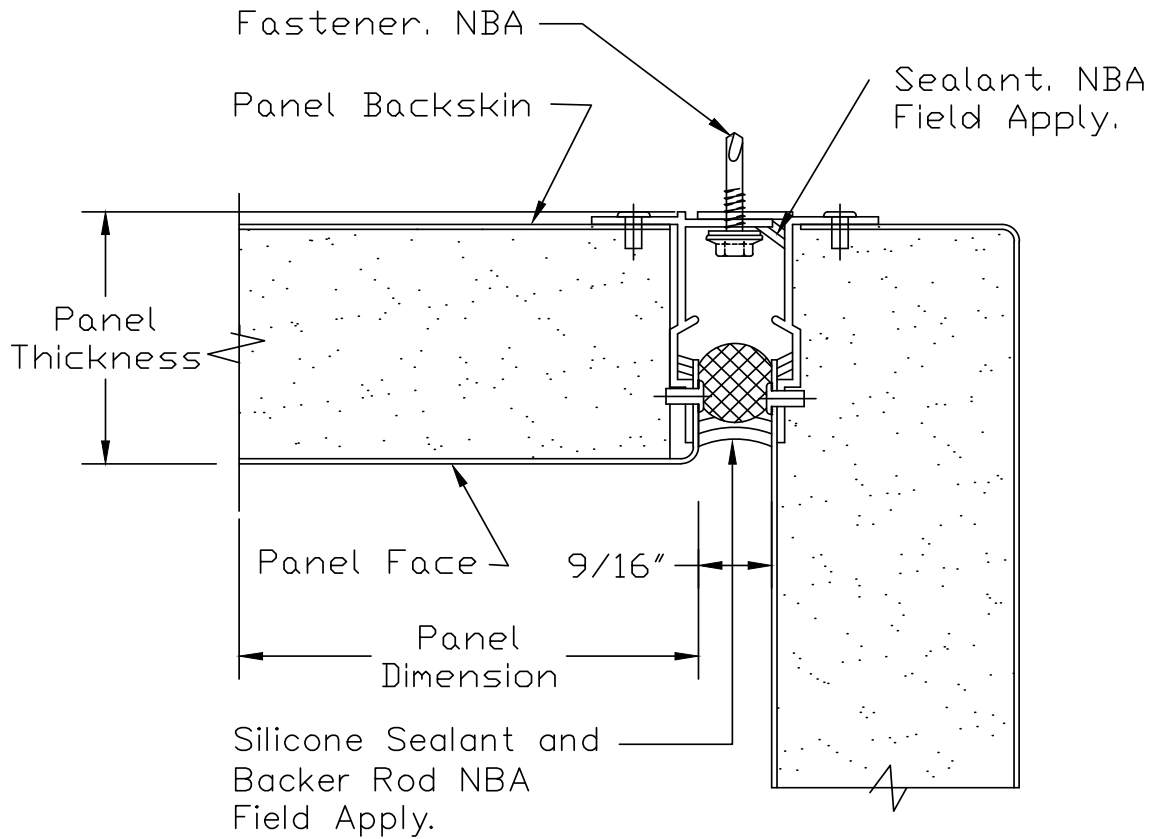
# Sketch 36



## Inside corner detail



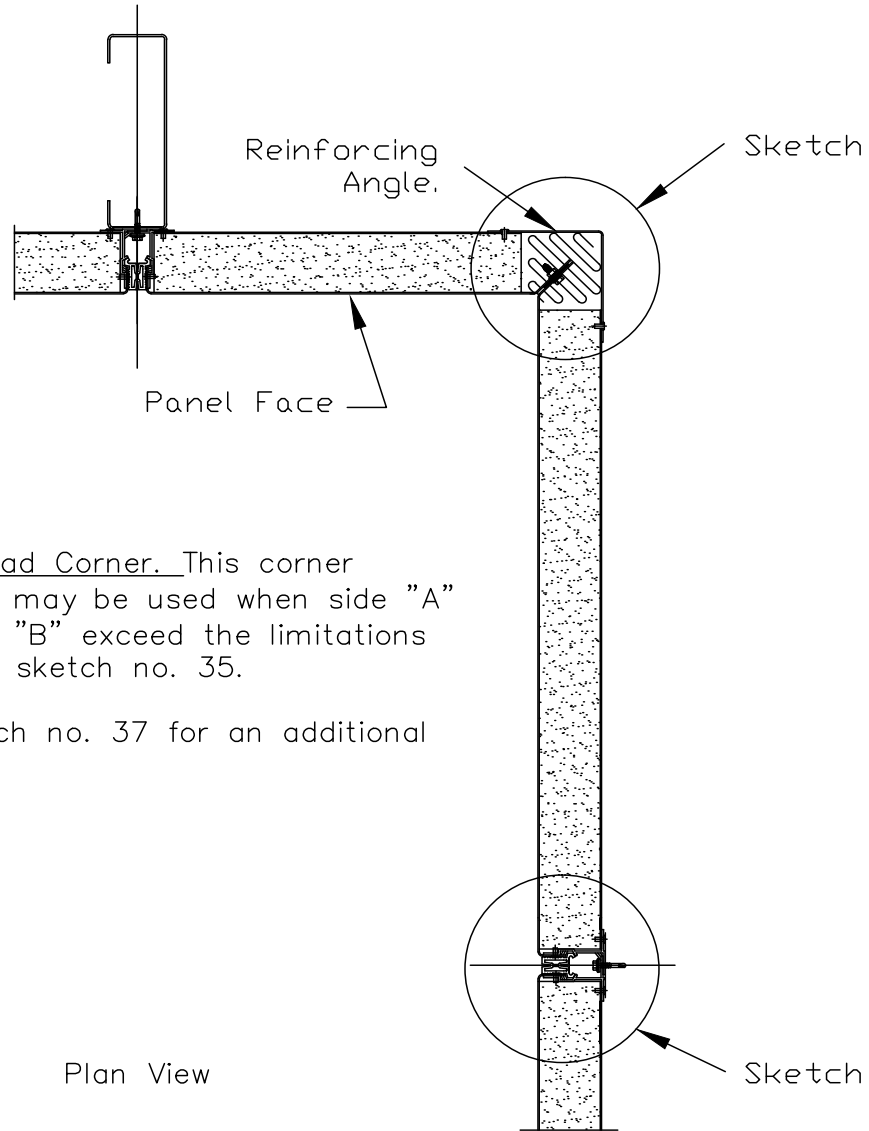
# Sketch 37



Inside corner detail 2 panels & sealant



# Sketch 38



Arrow Head Corner. This corner condition may be used when side "A" plus side "B" exceed the limitations noted on sketch no. 35.

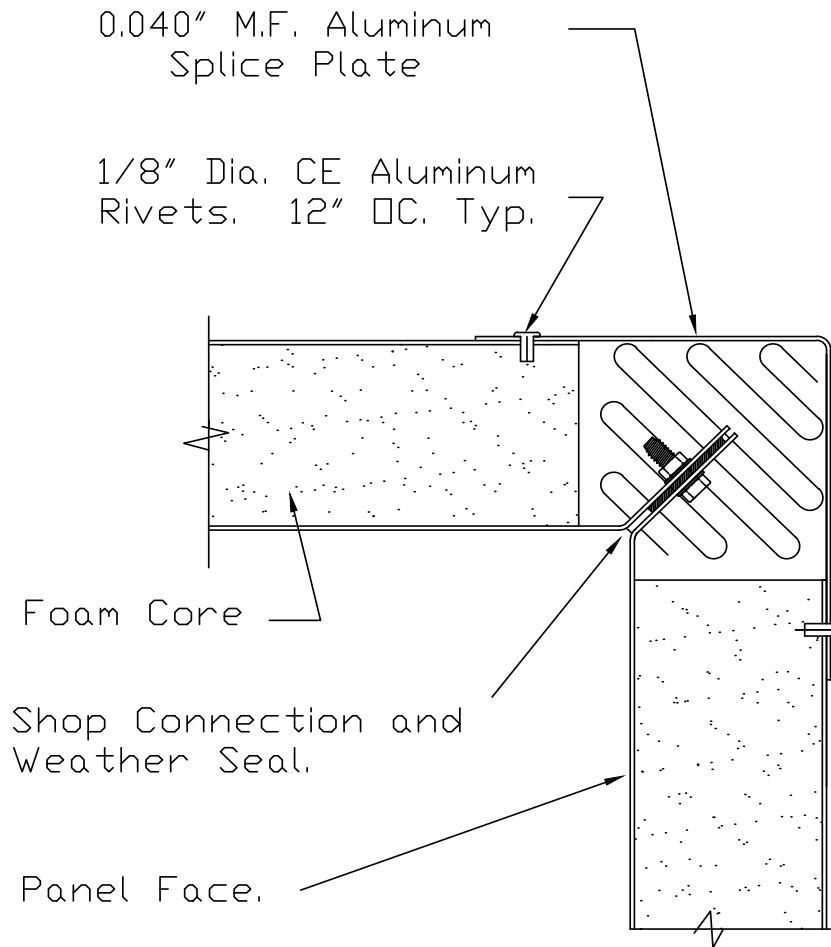
See sketch no. 37 for an additional option.

Note: This sketch also applies to Fascia / Soffit panels.

## Inside corner panel / slim line seam



# Sketch 39



Inside corner detail / slim line seam